

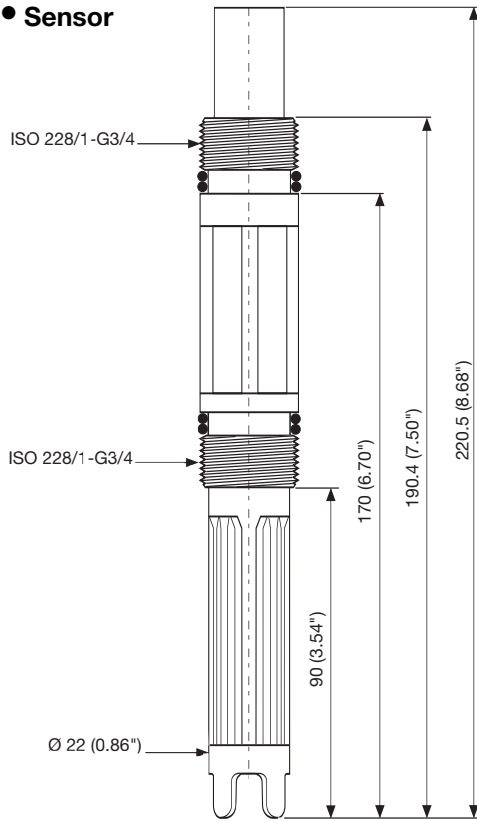
Standard Drawings

Model PH20
pH/ORP Combination
Sensor

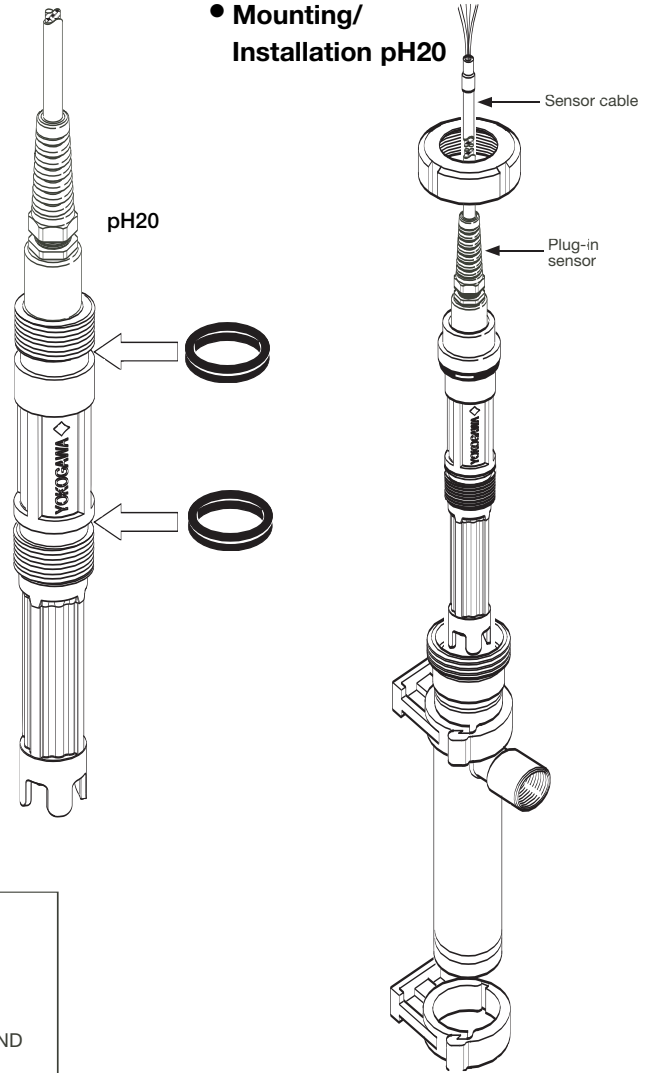


Unit : mm (inch)

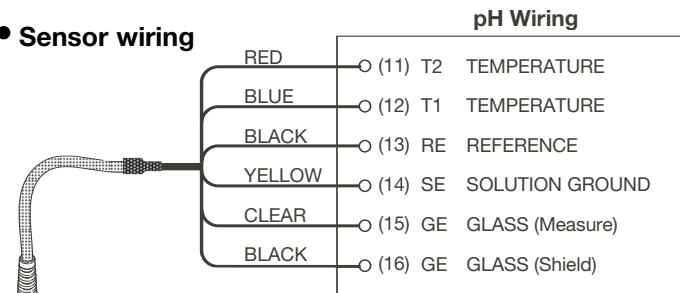
● **Sensor**



● **Mounting/ Installation pH20**



● **Sensor wiring**



REMARKS

● **Adapters**

