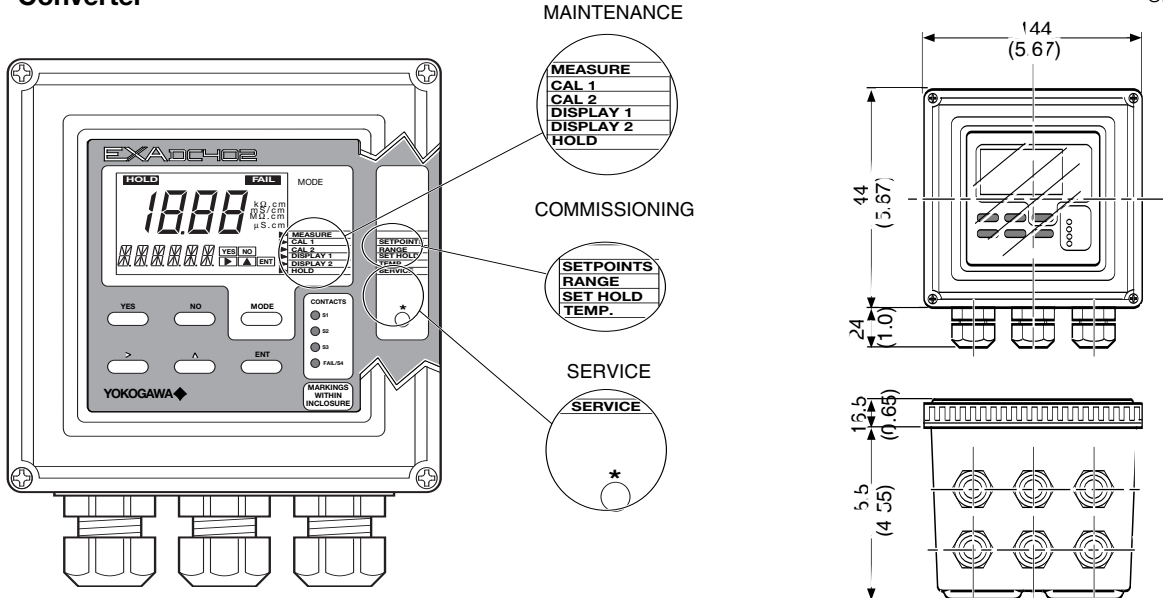


Standard Drawings

Model DC402G Converter for Dual Cell Conductivity or Resistivity

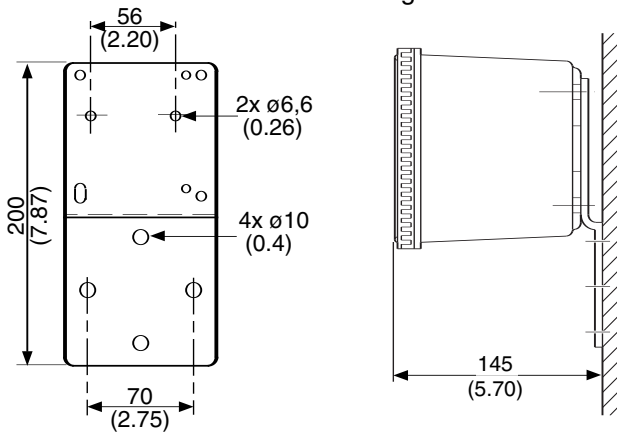
• Converter

Unit : mm (inch)

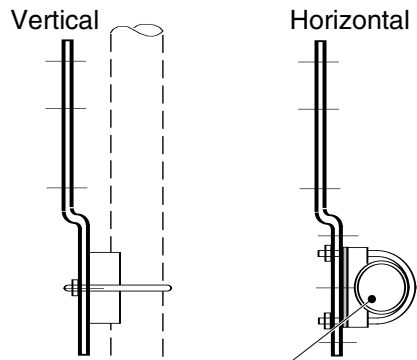


• Mounting

Wall Mounting



Pipe Mounting



50,8 (2") I.D. pipe
OPTION/U: Universal pipe/wall mounting kit

REMARKS

Panel Mounting

