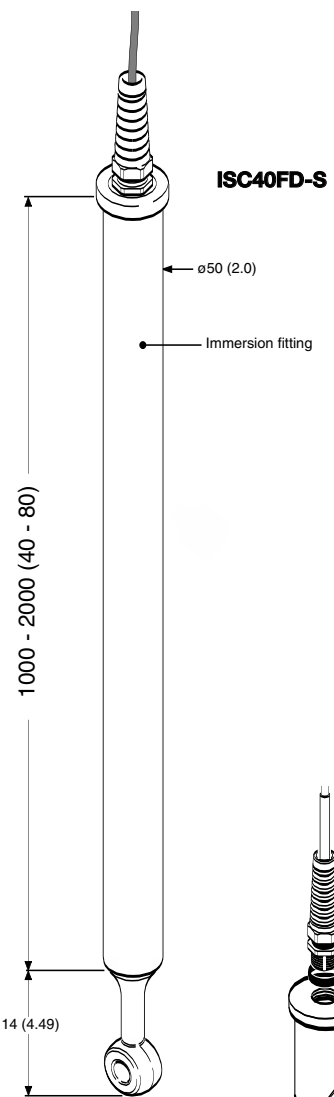
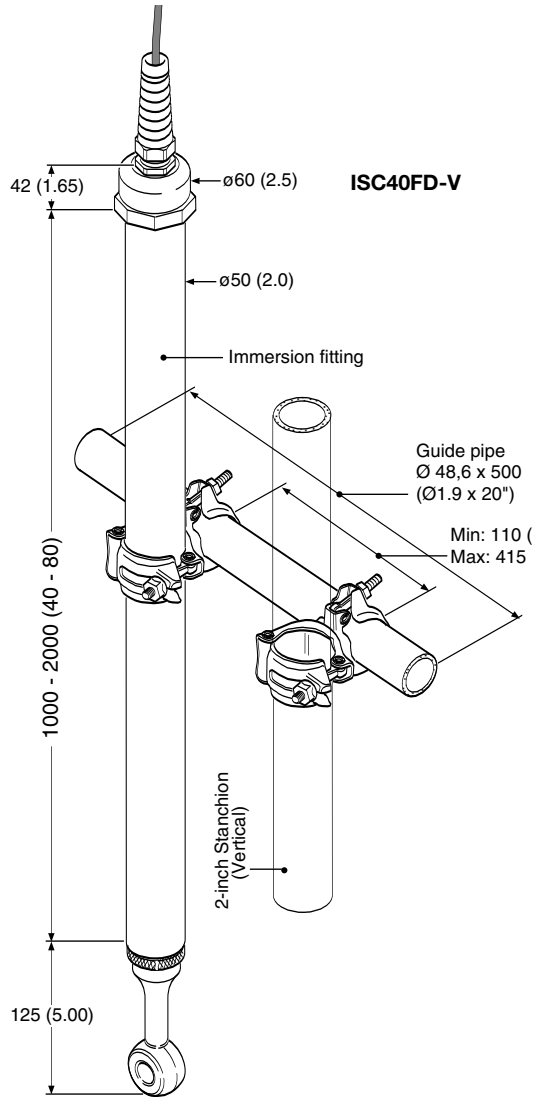


Standard Drawings

Model ISC40FD
Immersion Fittings
For Inductive Conductivity Sensor

• Dimension

Unit : mm (inch)



REMARKS

