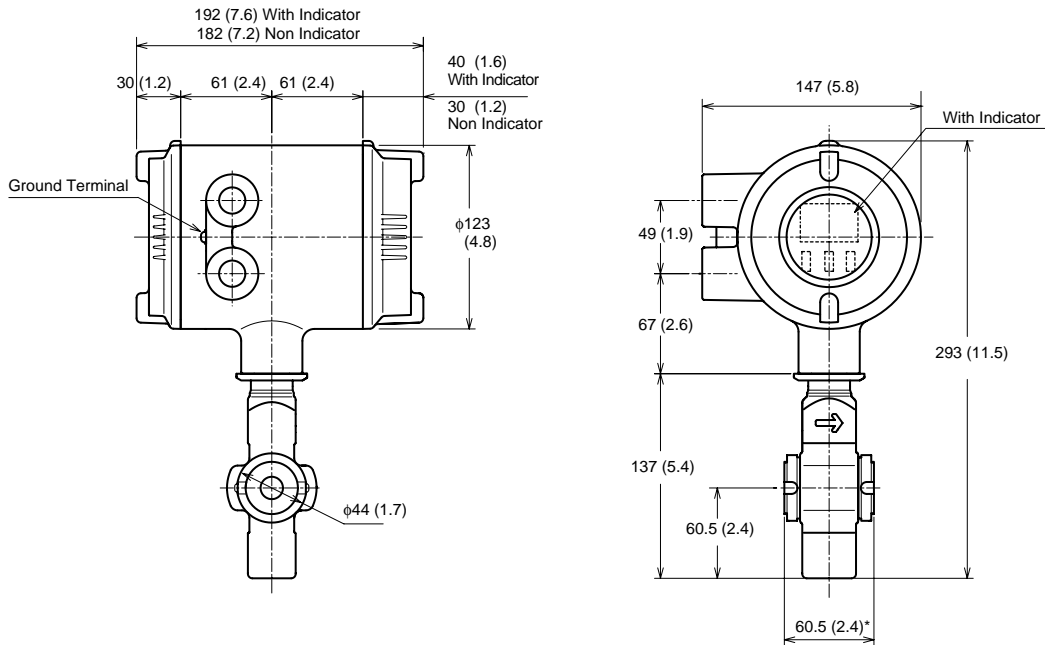


Unit :mm  
(approx, inch)



Lining : Fluorocarbon PFA

Weight : 3.3kg (7.3 lb)

With Indicator Option : Add 0.22kg (0.49lb)

\* Without earth ring the face to face length is shorter by approx. 1.6mm(0.06 in).

The face to face length is longer by approx. 26mm (1.02 in) for earth ring(P,T).

The face to face length is longer by approx. 8.4mm(0.33in) for optional code /FRG.

\*\* The flow direction is opposite (right to left when facing onto indicator) in case of optional code /CRC.

Terminal symbols	Description
PLS/ALM + -	] PULSE/ALARM OUTPUT
CUR + -	
POWER + -	] POWER SUPPLY
G	
	EARTH

