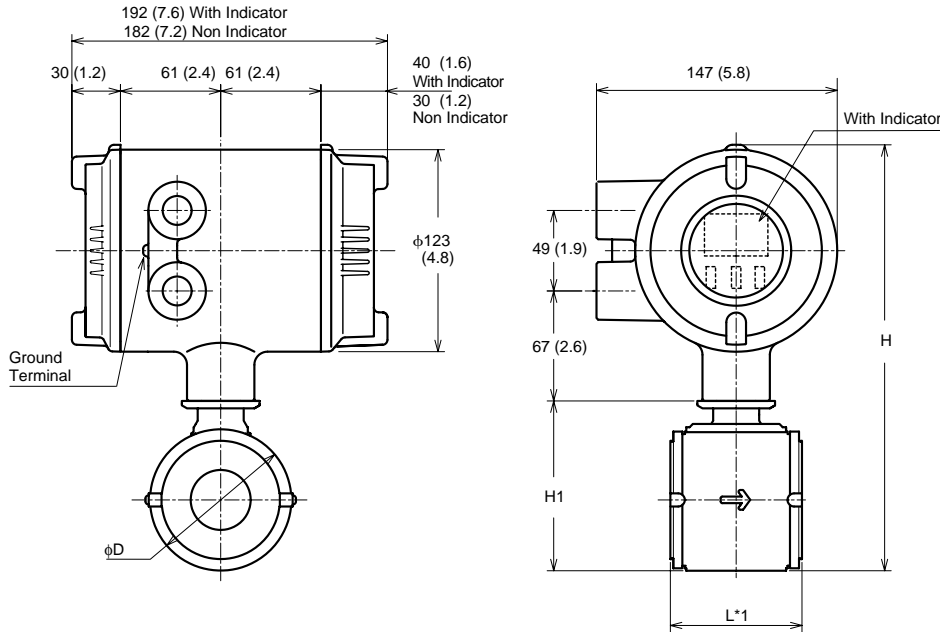


## Model SE202MJ,SE202NJ to SE210MJ,SE210NJ Integral Type Magnetic Flowmeter (Wafer Type)

Unit :mm  
(approx, inch)



Model		SE202MJ SE202NJ	SE204MJ SE204NJ	SE205MJ SE205NJ	SE208MJ SE208NJ	SE210MJ SE210NJ
Nominal size		25 (1)	40 (1.5)	50 (2)	80 (3)	100 (4)
Lining		Fluorocarbon PFA				
Face-to-face length	L*1	60 (2.4)	70 (2.8)	80 (3.1)	120 (4.7)	150 (5.9)
Outside diameter	φD	67.5 (2.7)	86 (3.4)	99 (3.9)	129 (5.1)	155 (6.1)
Height	H	240 (9.4)	260 (10.2)	285 (11.2)	307 (12.1)	338 (13.3)
	H1	84 (3.3)	104 (4.1)	129 (5.1)	151 (5.9)	182 (7.2)
Weight kg (lb)*2		3.6 (7.9)	3.8 (8.4)	4.2 (9.3)	6.6 (14.6)	8.6 (19.0)

\*1 : When no earth ring is selected the face to face length is shorter by approx. 1.6mm (0.06 inch).  
The face to face length is longer by approx. 26mm (1.02 inch) for earth ring(P,T).  
The face to face length is longer by approx. 8.4mm(0.33in) for optional code /FRG.

\*2 : With Indicator Option : Add 0.22 kg (0.49 lb )

\*3 : The flow direction is opposite (right to left when facing onto indicator) in case of optional code /CRC.

SD10B1-02E.eps

Terminal symbols	Description
PLS/ALM + -	PULSE/ALARM OUTPUT
CUR + -	
POWER + -	POWER SUPPLY
G	
	EARTH

