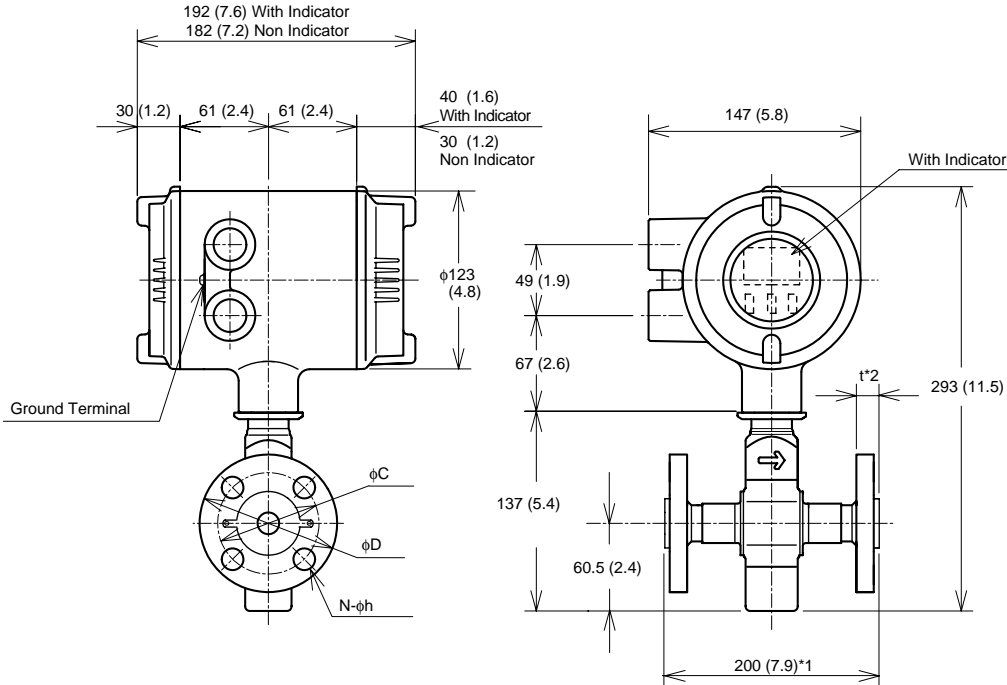


Unit :mm
(approx, inch)



Model		SE115MJ, SE115NJ				
Nominal size		15 (0.5)				
Flange Type		J1 □	J2 □	A1 □	A2 □	D4 □
Lining		Fluorocarbon PFA				
Flange outside dia.	ϕD	95 (3.7)	95 (3.7)	88.9 (3.5)	95.3 (3.8)	95 (3.7)
Pitch circle dia.	ϕC	70 (2.8)	70 (2.8)	60.5 (2.4)	66.5 (2.6)	65 (2.6)
Number of holes	N	4				
Dia. of holes	ϕh	15 (0.6)	15 (0.6)	15.7 (0.6)	15.7 (0.6)	14 (0.6)
Thickness	t	15.8 (0.6)	17.8 (0.7)	15 (0.6)	18 (0.7)	19.8 (0.8)
Weight kg (lb)		4.9 (10.7)	5.0 (11.1)	4.6 (10.0)	5.0 (11.0)	4.5 (9.9)

*1 : When no earth ring is selected the face to face length is shorter by approx. 1.6mm (0.06 inch).
The face to face length is longer by approx. 26mm (1.02 inch) for earth ring(P,T).
The face to face length is longer by approx. 8.4mm (0.33inch) for optional code /FRG.

*2 : The thickness(t) is longer by approx.13.2mm(0.52inch) for earth ring(P,T).
The thickness(t) is longer by approx.4.2mm(0.17inch) for optional code /FRG.

*3 : With Indicator Option : Add 0.22 kg (0.49 lb)

*4 : The flow direction is opposite (right to left when facing onto indicator) in case of optional code /CRC.

SD10B1-04E.eps

Terminal symbols	Description
PLS/ALM + -	PULSE/ALARM OUTPUT
CUR + -	
POWER + -	POWER SUPPLY
G	

