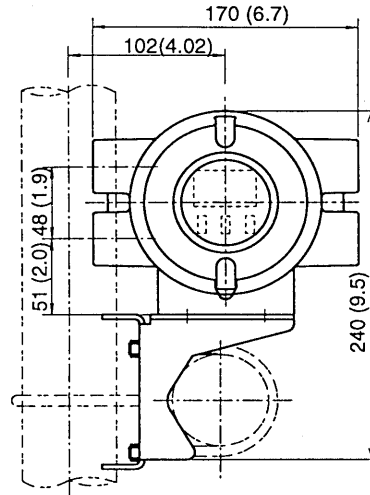
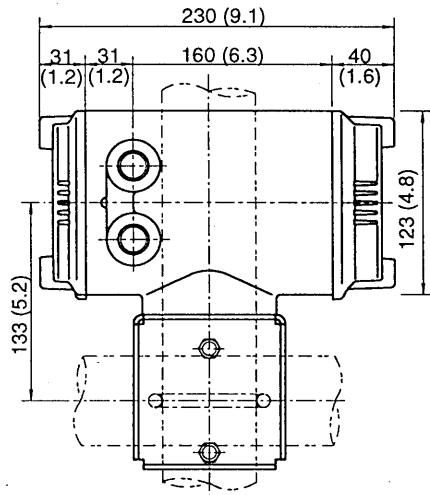
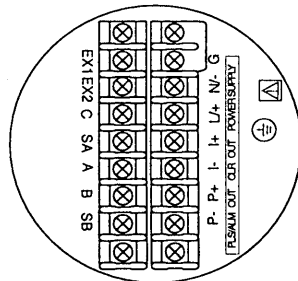


Unit :mm  
(approx, inch)



Weight 2.8kg (6.16 lb)



Terminal symbols	Description	
Ex1 Ex2	] Exciter output	
SA A B SB		] Signal input
C		
I+ I-	] Current output 4 to 20mA DC	
L N G		
P+ P-	] Pulse output / Alarm output	

SDM-011