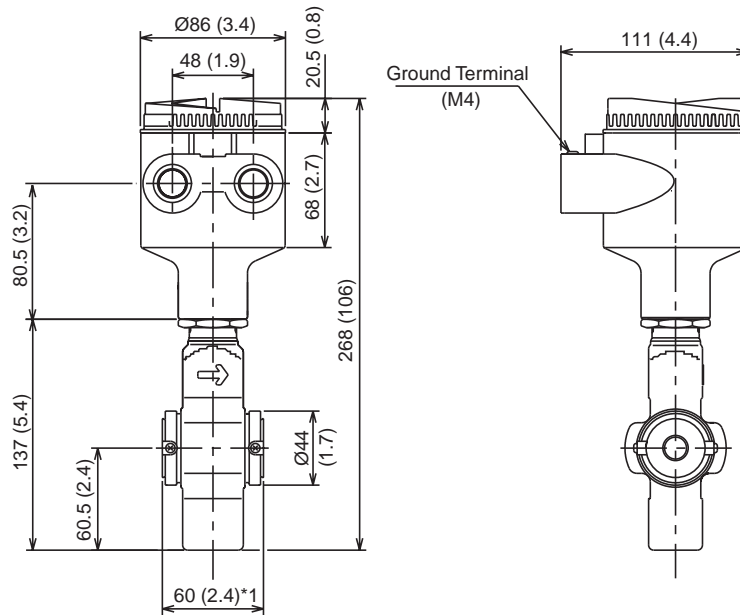


Unit :mm
(approx, inch)

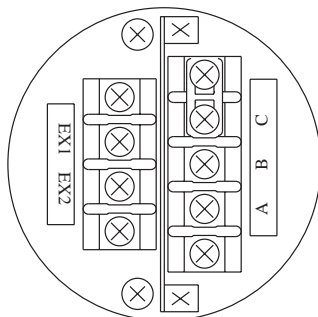


Nominal Size : 15mm (0.5 inch)
Lining : Fluorocarbon PFA

Weight 1.9 kg (4.2 lb)

*1 : When no earth ring is selected the face to face length is shorter by approx. 1.6mm (0.06in).
The face to face length is longer by approx. 26mm (1.02in) for earth ring(P,T).
The face to face length is longer by approx. 8.2mm (0.33in) for optional code /FRG.

SD1d.eps



Terminal symbols	Description
A] Flow signal output
B	
C	
Ex1] Excitation current input
Ex2	

SD8d.eps