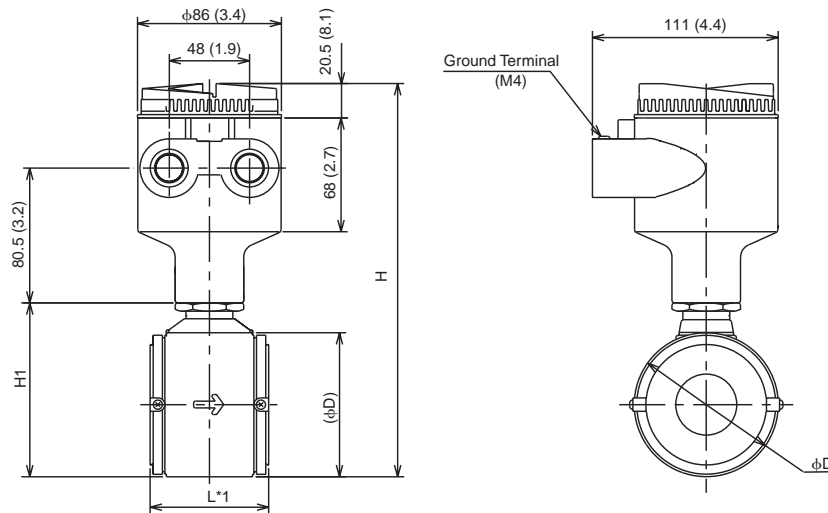


Unit :mm
(approx, inch)

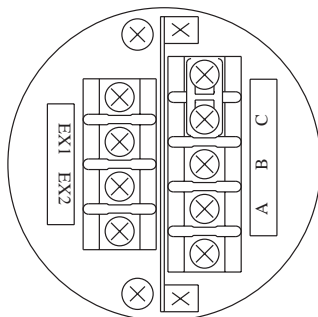


Unit : mm (Approx. inch)

Model	SE202DJ SE202EJ	SE204DJ SE204EJ	SE205DJ SE205EJ	SE208DJ SE208EJ	SE210DJ SE210EJ	
Nominal Size	25 (1)	40 (1.5)	50 (2)	80 (3)	100 (4)	
Lining	Fluorocarbon PFA					
Face to face length *1	L	60 (2.4)	70 (2.8)	80 (3.1)	120 (4.7)	150 (5.9)
Outside diameter	φD	67.5 (2.7)	86 (3.4)	99 (3.9)	129 (5.1)	155 (6.1)
Height	H	215 (8.5)	235 (9.3)	260(10.2)	282 (11.1)	313 (12.3)
	H1	84 (3.3)	104 (4.1)	129 (5.1)	151 (5.9)	182 (7.2)
Weight kg (lb)	1.9(4.2)	2.5(5.5)	2.9(6.5)	5.1(11.3)	6.7(14.7)	

*1: When no earth ring is selected the face to face length is shorter by approx. 1.6mm (0.06in).
The face to face length is longer by approx. 26mm (1.02 in) for earth ring(P,T).
The face to face length is longer by approx. 8.4mm (0.33 in) for optional code /FRG.

SD2d.eps



Terminal symbols	Description
A] Flow signal output
B	
C	
Ex1] Excitation current input
Ex2	

SD8d.eps