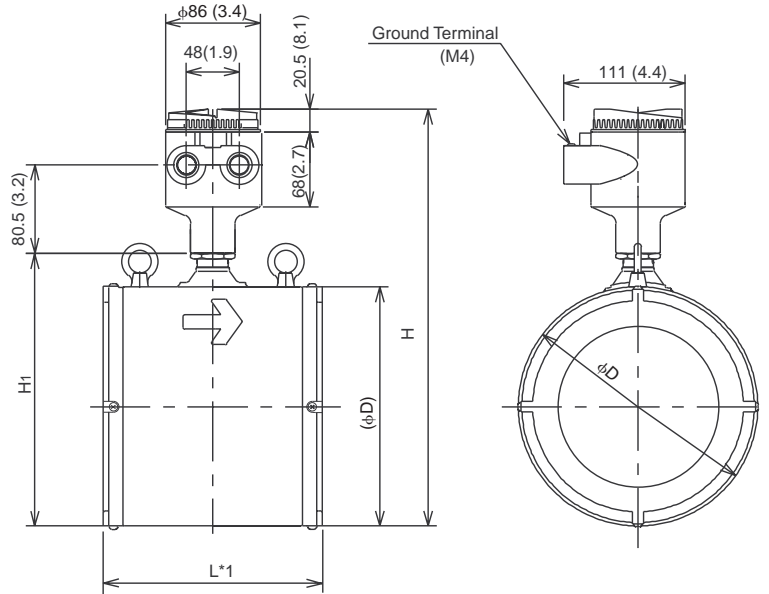


Model SE215DJ, SE215EJ and SE220DJ, SE220EJ Remote Type Magnetic Flowmeter (Wafer Type)

Unit :mm
(approx, inch)

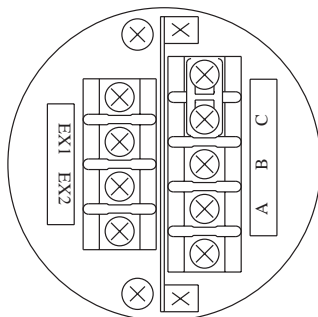


Unit : mm (Approx. inch)

Model	SE215DJ SE215EJ	SE220DJ SE220EJ
Nominal Size	150 (6)	200 (8)
Lining	Fluorocarbon PFA	
Height	H	379 (14.9)
	H1	429 (16.9)
Outside diameter	φD	248 (9.8)
		298 (11.7)
Face to face length *1	L	218 (8.6)
		268 (10.6)
Weight	kg	200 (7.9)
	(lb)	250 (9.8)
		14.5 (32.0)
		22.5 (49.5)

*1 : When no earth ring is selected the face to face length is shorter by approx. 2mm (0.08in).
The face to face length is longer by approx. 34mm (1.34 in) for earth ring (P,T).
The face to face length is longer by approx. 10.0mm (0.40 in) for optional code /FRG.

SD3d.eps



Terminal symbols	Description	
A B C] Flow signal output	
Ex1 Ex2] Excitation current input

SD8d.eps