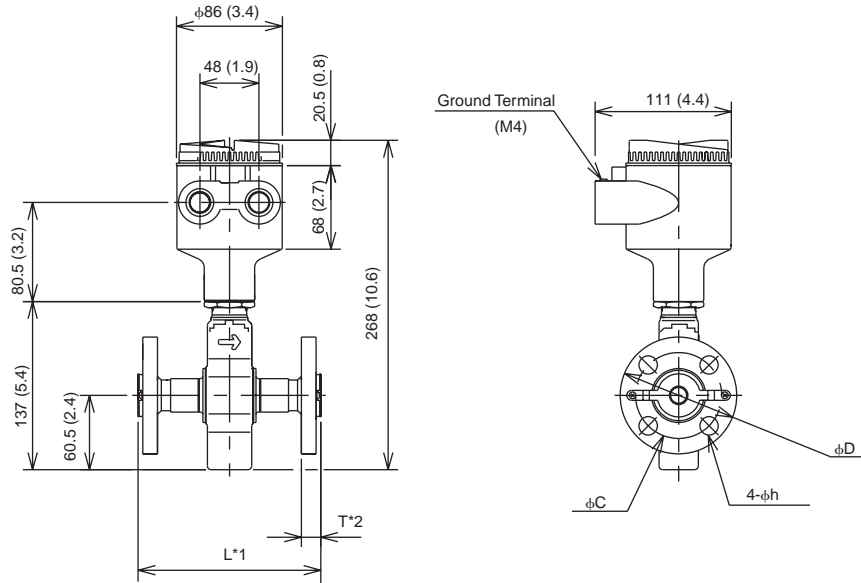


Unit :mm
(approx, inch)



Unit : mm (Approx. inch)

Model	SE115DJ , SE115EJ				
Nominal size	15 (0.5)				
Flange Type	J1□	J2□	A1□	A2□	D4□
Lining	Fluorocarbon PFA				
Face to face length	L*1	200 (7.9)			
Flange outside dia.	ϕD	95 (3.7)	95 (3.7)	88.9 (3.5)	95.3 (3.8)
Thickness (Except P.T Earth ring)	T*2	15.8 (0.6)	17.8 (0.7)	15 (0.6)	18 (0.7)
Thickness (P.T Earth ring)	T*2	29 (1.1)	31 (1.2)	28.2 (1.1)	31.2 (1.2)
Pitch circle dia.	ϕC	70 (2.8)	70 (2.8)	60.5 (2.4)	66.5 (2.6)
Dia. of holes	ϕh	15 (0.6)	15 (0.6)	15.7 (0.6)	14 (0.6)
Weight kg (lb)		3.5 (7.7)	3.6 (8.0)	3.2 (7.1)	3.6 (8.0)

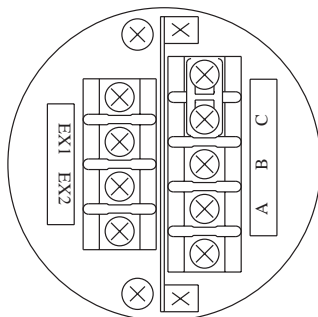
*1 When no earth ring is selected the face to face length is shorter by approx. 1.6mm (0.6in).

The face to face length is longer by approx. 26mm (1.02 in) for earth ring(P,T).

The face to face length is longer by approx. 8.4mm (0.33 in) for optional code /FRG.

*2 The thickness (T) is longer by approx. 4.2mm(0.17 in) for optional code /FRG.

SD4d.eps



Terminal symbols	Description
A] Flow signal output
B	
C	
Ex1] Excitation current input
Ex2	

SD8d.eps