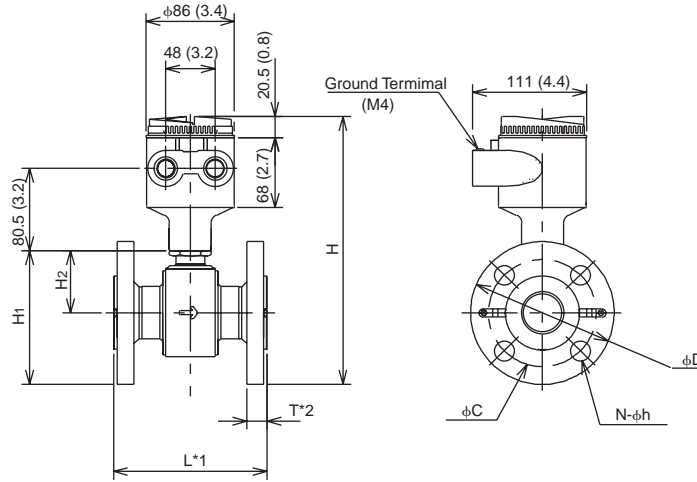


Model SE202DJ,SE202EJ to SE205DJ,SE205EJ Remote Type Magnetic Flowmeter (Flange Type)

Unit :mm
(approx, inch)



Unit : mm
(Approx, inch)

Model	SE202DJ,SE202EJ					SE204DJ,SE204EJ				SE205DJ,SE205EJ						
Nominal Size	25 (1)					40 (1.5)				50 (2)						
Flange Type	J1 □	J2 □	A1 □	A2 □	D4 □	J1 □	J2 □	A1 □	A2 □	D4 □	J1 □	J2 □	A1 □	A2 □	D4 □	
Lining	Fluorocarbon PFA					Fluorocarbon PFA				Fluorocarbon PFA						
Height	H	244.5 (9.6)	244.5 (9.6)	236 (9.3)	244 (9.6)	239.5 (9.4)	262 (10.3)	255.5 (10.1)	269.7 (10.6)	267 (10.5)	288.5 (11.4)	288.5 (11.4)	287.2 (11.3)	293.6 (11.6)	293.5 (11.6)	
	H1	113.5 (4.5)	113.5 (4.5)	105 (4.1)	113 (4.4)	108.5 (4.3)	131 (5.2)	124.5 (4.9)	138.7 (5.5)	136 (5.4)	157.5 (6.2)	157.5 (6.2)	156.2 (6.1)	162.6 (6.4)	162.5 (6.4)	
	H2	51 (2.0)					61 (2.4)				80 (3.1)					
Face to face length	L*1	200 (7.9)					200 (7.9)				200 (7.9)					
Flange outside dia.	φD	125 (4.9)	108 (4.3)	124 (4.9)	115 (4.5)	140 (5.5)	127 (5.0)	155.4 (6.1)	150 (5.9)	155 (6.1)	152.4 (6.0)	165.1 (6.5)	165 (6.5)	165 (6.5)		
Pitch circle dia.	φC	90 (3.5)	79.2 (3.1)	88.9 (3.5)	85 (3.3)	105 (4.1)	98.6 (3.9)	114.3 (4.5)	110 (4.3)	120 (4.7)	120.7 (4.8)	127 (5.0)	125 (4.9)	125 (4.9)		
Thickness (Except P,T Earth ring)	T*2	17.8 (0.7)	19.8 (0.8)	18 (0.7)	21.3 (0.8)	21.8 (0.9)	19.8 (0.8)	21.8 (0.9)	21.3 (0.8)	24.4 (1.0)	21.8 (0.9)	19.8 (0.8)	21.8 (0.9)	26.2 (1.0)	23.8 (0.9)	
Thickness (P,T Earth ring)	T*2	31 (1.2)	33 (1.3)	31.2 (1.2)	34.5 (1.4)	35 (1.4)	33 (1.3)	35 (1.4)	34.5 (1.4)	37.6 (1.5)	35 (1.4)	33 (1.3)	35 (1.4)	36.1 (1.4)	39.4 (1.6)	
Dia. of holes	φh	19 (0.7)	15.7 (0.6)	19.1 (0.8)	14 (0.6)	19 (0.7)	15.7 (0.6)	22.4 (0.9)	18 (0.7)	19 (0.7)	19.1 (0.7)	19.1 (0.7)	19.1 (0.7)	18 (0.7)		
Number of holes	N	4					4				4	8	4	4		
Weight	kg (lb)	4.3 (9.4)	4.6 (10.1)	3.6 (7.8)	4.8 (10.5)	4.6 (10.1)	6.3 (13.9)	6.6 (14.5)	5.9 (13.0)	8.2 (18.1)	7.9 (17.4)	7.7 (17.0)	7.8 (17.3)	8.2 (18.1)	9.8 (21.7)	9.6 (21.2)

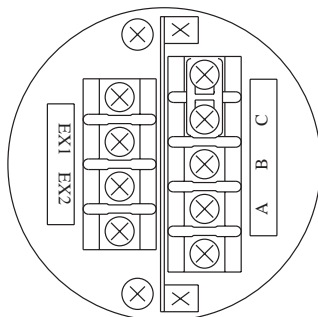
*1 When no earth ring is selected the face to face length is shorter by approx. 1.6mm (0.06 in).

The face to face length is longer by approx. 26mm (1.02 in) for earth ring(P,T).

The face to face length is longer by approx. 8.4mm (0.33 in) for optional code /FRG.

*2 The thickness (T) is longer by approx. 4.2mm(0.17 in) for optional code /FRG.

SD5d.EPS



Terminal symbols	Description
A	Flow signal output
B	
C	
Ex1	Excitation current input
Ex2	

SD8d.eps