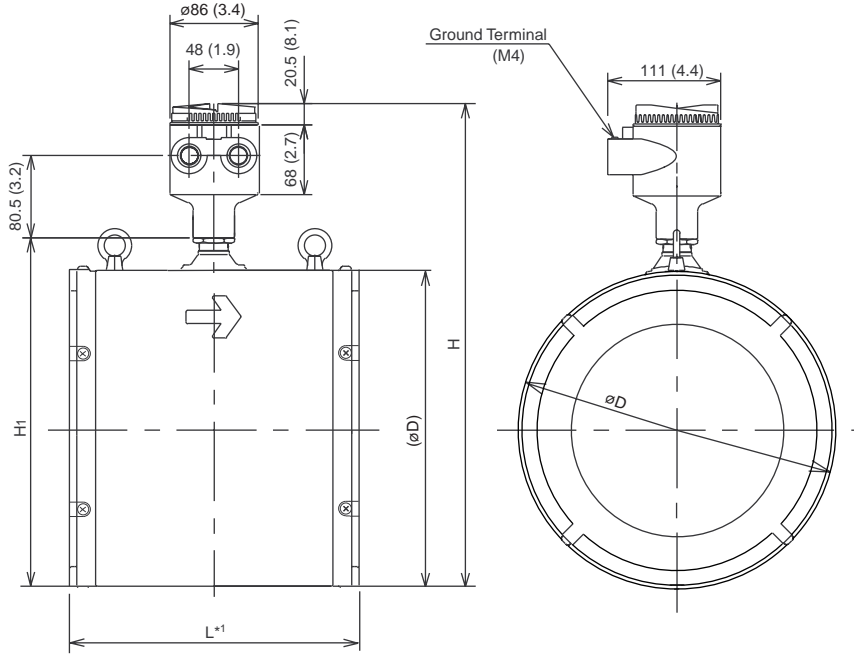


## Model SE325DJ, SE330DJ Remote Type Magnetic Flowmeter (wafer Type)

Unit :mm  
(approx, inch)

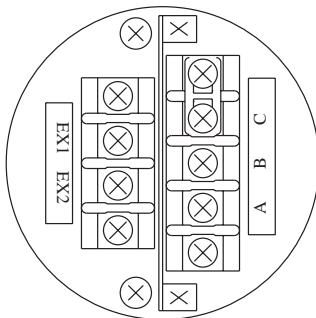


Unit : mm (Approx. inch)

Model	SE325DJ	SE330DJ
Nominal Size	250 (10)	300 (12)
Lining	Fluorocarbon PFA	
Height	H	471 (18.5)
	H <sub>1</sub>	340 (13.4)
Outside diameter	$\phi D$	310 (12.2)
Face to face length *1	L	300 (11.8)
Weight	kg (lb)	39 (86.0)

\*1 : When no earth ring is selected, the face to face length is shorter by approx. 2mm (0.08in).

SD3d.eps



Terminal symbols	Description
A	] Flow signal output
B	
C	
EX1	] Excitation current input
EX2	

SD8d.eps