

### AXF Integral Flowmeter/Remote Flowtube AXF Standard (DIN Flange)

Fluorocarbon PFA/Polyurethane Rubber/Natural Soft Rubber/EPDM Rubber Lining

Integral Flowmeter

Remote Flowtube

Integral Flowmeter

Remote Flowtube

Unit : mm  
(approx. inch)

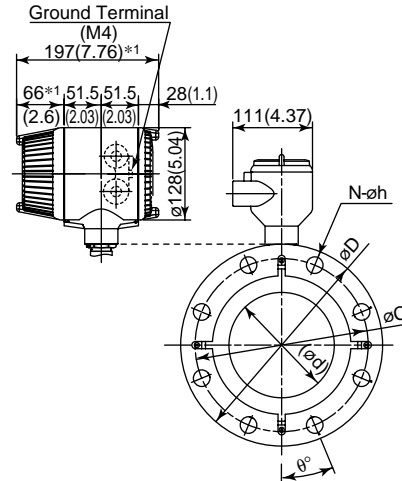
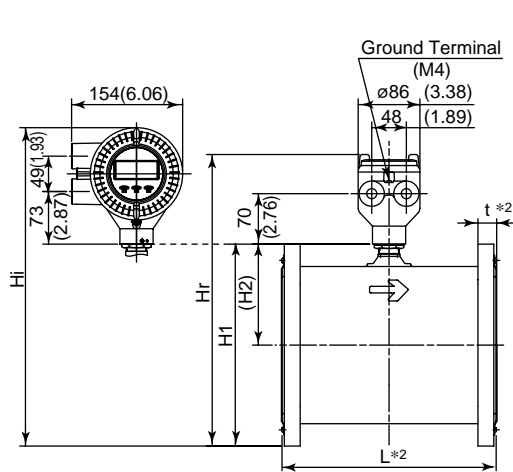


Fig13E.EPS

\*No infra-red switches are furnished for Fieldbus communication type.

#### Model code:

AXF150 G D E 1 A  
AXF200 W F 2 U  
C G N G

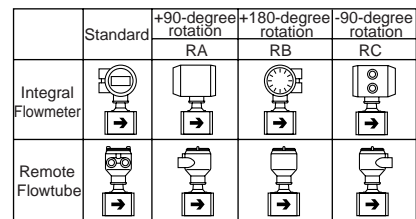
\*5

□ 1 □ - B D □ 1

□ 2 □ - C D □ 1

\*5: D, E, F, G; Integral Flowmeter, N, P: Remote Flowtube

\* When option code RA, RB, or RC is selected, the direction of electrical connection change as below.



F19-1E.EPS

Model	Process Connection		BD1/CD1(DIN PN10)		BD2/CD2(DIN PN16)	
	Size code		200	150	200	200
	Size		200 (8)	150 (6)	200 (8)	200 (8)
	Lining code		A,U D,G	A,U D,G	A,U D,G	A,U D,G
Remote Flowtube	Face-to-face length	L <sup>0-2</sup> <sub>-3</sub>	350 (13.78)	300 (11.81)	350 (13.78)	350 (13.78)
	Outside dia.	øD	340 (13.39)	285 (11.22)	340 (13.39)	340 (13.39)
	Thickness	t <sup>*2</sup>	29 (1.14)	27 (1.06)	29 (1.14)	29 (1.14)
	Inner diameter of Grounding ring	ød	193.6 (7.62)	146.1 (5.75)	193.6 (7.62)	193.6 (7.62)
Integral Flowmeter	Pitch circle dia.	øC	295 (11.61)	240 (9.45)	295 (11.61)	295 (11.61)
	Bolt hole interval	θ°	22.5	22.5	15	15
	Hole dia.	øh	22 (0.87)	22 (0.87)	22 (0.87)	22 (0.87)
	Number of holes	N	8	8	12	12
Remote Flowtube	Max. Height	Hr	460 (18.11)	408 (16.04)	460 (18.11)	460 (18.11)
	Weight kg (lb)		42.5 (93.7)	28.7 (63.2)	41.9 (92.5)	41.9 (92.5)
	Max. Height	Hi	498 (19.61)	446 (17.54)	498 (19.61)	498 (19.61)
Integral Flowmeter	Weight kg (lb)		44.2 (97.5)	30.4 (66.9)	43.6 (96.2)	43.6 (96.2)

TD02-12E.EPS

Lining code : A; Fluorocarbon PFA, U; Polyurethane Rubber  
D; Natural Soft Rubber, G; EPDM Rubber

\*1: When indicator code N is selected, subtract 12mm(0.47inch) from the value in the figure. In case of explosion proof type with indicator, add 5 mm (0.2 inch) to it.

\*2: Depending on the selection of grounding ring code and optional code, add the following value to "L"(face-to-face length) and "t"(thickness of flange).

Grounding Ring Code	L		t		L		t	
	S, L, H, V	P, T	N					
Option Code	None	+0	+0	+32(1.26)	+16(0.63)	-2(0.08)	-1(0.04)	
GA, GC, GD (Special Gaskets)	+10(0.39)	+5(0.20)	+38(1.5)	+19(0.75)				

\*3: When submersible type or option code DHC is selected, waterproof glands and a 30m long cable are attached.

Add 9.5kg(20.9lb) to the weight in the table.

Unless otherwise specified, difference in the dimensions are specified as : General tolerance = ± (Criteria of tolerance class IT18 in JIS B0401) / 2

## Integral Flowmeter

### BRAIN/HART Communication Type

#### Terminal configuration

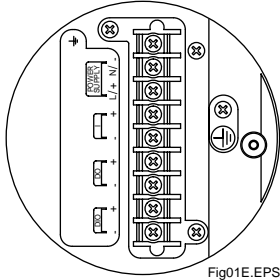


Fig01E.EPS

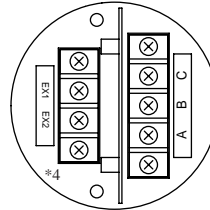
#### Terminal wiring

Terminal Symbols	Description
	Functional grounding
N/- L/+	Power supply
I+ I-	Current output 4 to 20mA DC
DO+ DO-	Pulse output/Alarm output/ Status output
DIO+ DIO-	Alarm output/Status output Status input
	Protective grounding (Outside of the terminal)

Fig01-2E.EPS

## Remote Flowtube

#### Terminal configuration



\*4: In case of explosion proof type, (functional grounding terminal) is added.

Fig02E.EPS

#### Terminal wiring

Terminal Symbols	Description
A B C	Flow signal output
EX1 EX2	Excitation current input
	Protective grounding (Outside of the terminal)

### FOUNDATION Fieldbus/PROFIBUS PA Communication type

#### Terminal configuration

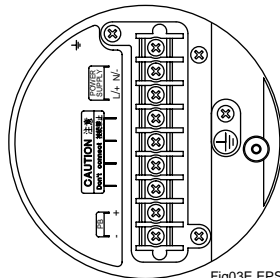


Fig03E.EPS

#### Terminal wiring

Terminal Symbols	Description
	Functional grounding
N/- L/+	Power supply
FB+ FB-	Fieldbus communication signal
	Protective grounding (Outside of the terminal)

Fig01-3E.EPS