

**Flange Detail**

F01\_AXF11LE.EPS

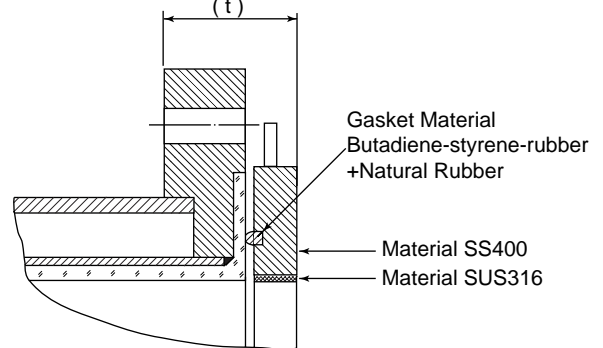
**Model Code**

AXF11L <sup>G</sup>  
AXF12L <sup>W</sup> — N N U L 1 S — C G 1 1  
AXF13L

Model	Process Connection		CG1(JIS F12)			
	Size code		11L	12L	13L	
	Size		1100 (44)	1200 (48)	1350 (54)	
	Lining code		U	U	U	
Remote Flowtube	Face-to-face length	L	1650 <sup>0</sup> <sub>-10</sub> (64.96)	1800 <sup>0</sup> <sub>-10</sub> (70.87)	2025 <sup>0</sup> <sub>-10</sub> (79.72)	
		Interval	A	1325 (52.17)	1470 (57.87)	1640 (64.57)
	Shackle	Size	B	SB24	SB24	SB30
		Width	S	200 (7.87)	200 (7.87)	200 (7.87)
	Support	Length	Y	1280 (50.39)	1380 (54.33)	1540 (60.63)
		Interval	L1	1211 (47.68)	1261 (49.65)	1366 (53.78)
			P	720 <sup>±2</sup> (28.35)	780 <sup>±2</sup> (30.71)	880 <sup>±2</sup> (34.65)
	Mounting Bolt	Interval	Q	1100 <sup>±3</sup> (43.31)	1200 <sup>±3</sup> (47.24)	1350 <sup>±3</sup> (53.15)
			T	130 <sup>±1</sup> (5.12)	130 <sup>±1</sup> (5.12)	130 <sup>±1</sup> (5.12)
		Hole dia.	oh	19 (0.75)	19 (0.75)	19 (0.75)
	Outside dia.	oh	1366 (53.78)	1470 (57.87)	1642 (64.65)	
	Thickness	t <sup>*1</sup>	78 (3.07)	80 (3.15)	82 (3.23)	
	Pitch circle dia.	oh	1283 (50.51)	1387 (54.61)	1552 (61.10)	
	Bolt hole interval	theta	7.5	6.4	6.4	
	Hole dia.	oh	33 (1.30)	33 (1.30)	39 (1.54)	
	Number of holes	N	24 (0.94)	28 (1.10)	28 (1.10)	
	Height	H1	950 <sup>0</sup> <sub>-10</sub> (37.40)	1000 <sup>0</sup> <sub>-10</sub> (39.37)	1100 <sup>0</sup> <sub>-10</sub> (43.31)	
Max. Height	H	1698 (66.85)	1803 (70.98)	1974 (77.72)		
Weight kg (lb) <sup>*2</sup>		1650 (3637.6)	1910 (4210.8)	2420 (5335.2)		

Lining code: U; Polyurethane Rubber

T01.EPS



F01-1.EPS

- \*1: The value before the gasket is tightened.
- \*2: When submersible type or option code DHC is selected, waterproof glands and a 30m long cable are attached. Add 9.5kg(20.9lb) to the weight in the table.

**Remote Flowtube Terminal configuration**

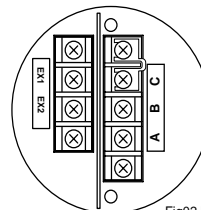


Fig02.EPS

**Terminal wiring**

Terminal Symbols	Description
A B C	Flow signal output
EX1 EX2	Excitation current input
⊕	Protective grounding (Outside of the terminal)

Fig02-2.EPS

Unless otherwise specified, difference in the dimensions are specified as : General tolerance = ± (Criteria of tolerance class IT18 in JIS B0401) / 2