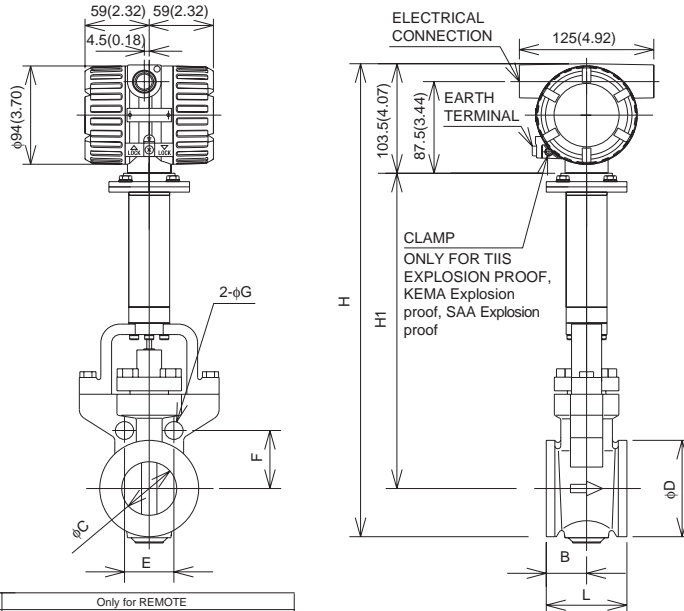


# Drawings

Models DY015, DY025, DY040, digitalYEWFLO  
 DY050, DY080 and DY100  
 (digitalYEWFLO)  
 High Process Temperature Version(/HT) and Cryogenic Version(/LT)  
 Digital Vortex Flowmeter (Remote and Wafer type)



Unit: mm  
(approx. inch)

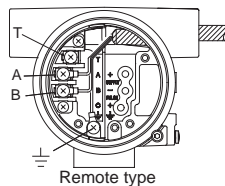
TYPE	Only for REMOTE						
CODE	DY015 (15mm.1/2in) Only for /LT						
PROCESS CONNECTION	AJ1	AJ2	AJ4	AA1	AA2	AA4	AD1 - AD4
L	70 (2.76)						
B	35 (1.38)						
C	14.6 (0.57)						
D	35.1 (1.38)						
H	391 (15.39)						
H1	270 (10.63)						
E	49.5 (1.95)	48.5 (1.95)	58.6 (2.23)	42.7 (1.68)	47.1 (1.85)	47.1 (1.85)	46 (1.81)
F	24.7 (0.97)	24.7 (0.97)	28.3 (1.11)	21.4 (0.84)	23.5 (0.93)	23.5 (0.93)	23 (0.91)
G	13 (0.51)	13 (0.51)	17 (0.67)	14 (0.55)	14 (0.55)	13 (0.51)	13 (0.51)
WEIGHT kg	3.2 (7.06lb)						

TYPE	Only for REMOTE																					
CODE	DY025 (25mm.1in) /LT, /HT							DY040 (40mm.1 1/2in) /LT, /HT							DY050 (50mm.2in) /LT, /HT							
PROCESS CONNECTION	AJ1	AJ2	AJ4	AA1	AA2	AA4	AD1 - AD4	AJ1	AJ2	AJ4	AA1	AA2	AA4	AD1 - AD4	AJ1	AJ2	AJ4	AA1	AA2	AA4	AD1 - AD4	
L	70 (2.76)							70 (2.76)							75 (2.95)							
B	35 (1.38)							35 (1.38)							37.5 (1.48)							
C	25.7 (1.01)							39.7 (1.56)							51.1 (2.01)							
D	50.8 (2.00)							73 (2.87)							92 (3.62)							
H	401 (15.79)							419 (16.50)							450.5 (17.74)							
H1	272 (10.71)							279 (10.98)							301 (11.85)							
E	63.6 (2.50)	63.6 (2.50)	67.2 (2.65)	56 (2.20)	62.9 (2.48)	62.9 (2.48)	60.1 (2.37)	74.2 (2.92)	74.2 (2.92)	84.8 (3.34)	89.7 (3.53)	80.8 (3.18)	80.8 (3.18)	77.8 (3.06)	(Note 1)	45.9 (1.81)	(Note 1)	49.8 (1.96)	(Note 1)	48.6 (1.91)	48.6 (1.91)	(Note 1)
F	31.8 (1.25)	31.8 (1.25)	33.6 (1.32)	28 (1.10)	31.4 (1.24)	31.4 (1.24)	30.1 (1.19)	37.1 (1.46)	37.1 (1.46)	42.4 (1.67)	42.4 (1.67)	34.8 (1.37)	34.8 (1.37)	40.4 (1.59)	(Note 1)	55.4 (2.18)	(Note 1)	60.1 (2.37)	(Note 1)	58.7 (2.31)	58.7 (2.31)	(Note 1)
G	17 (0.67)	17 (0.67)	17 (0.67)	14 (0.55)	17 (0.67)	17 (0.67)	17 (0.67)	17 (0.67)	17 (0.67)	21 (0.83)	21 (0.83)	14 (0.55)	14 (0.55)	20 (0.79)	(Note 1)	17 (0.67)	(Note 1)	17 (0.67)	(Note 1)	17 (0.67)	17 (0.67)	(Note 1)
WEIGHT kg	4.1 (9.04lb)							4.7 (10.36lb)							6.4 (14.11lb)							

TYPE	Only for REMOTE															
CODE	DY080 (80mm.3in) /LT, /HT							DY100 (100mm.4in) /LT, /HT								
PROCESS CONNECTION	AJ1	AJ2	AJ4	AA1	AA2	AA4	AD1 - AD2	AD3 - AD4	AJ1	AJ2	AJ4	AA1	AA2	AA4	AD1 - AD2	AD3 - AD4
L	100 (3.94)							120 (4.72)								
B	40 (1.57)							50 (1.97)								
C	71 (2.80)							93.8 (3.69)								
D	127 (5.00)							157.2 (6.19)								
H	485 (19.09)							515 (20.28)								
H1	318 (12.52)							333 (13.11)								
E	57.4 (2.26)	61.2 (2.41)	65.1 (2.56)	(Note 1)	64.4 (2.54)	61.2 (2.41)	61.2 (2.41)	67 (2.64)	70.8 (2.79)	78.5 (3.09)	72.9 (2.87)	76.6 (3.02)	82.6 (3.25)	69.9 (2.71)	72.7 (2.86)	
F	69.3 (2.73)	73.9 (2.91)	78.5 (3.09)	(Note 1)	77.7 (3.06)	77.7 (3.06)	73.9 (2.91)	73.9 (2.91)	80.8 (3.18)	85.5 (3.37)	88 (3.46)	94.7 (3.73)	88 (3.46)	92.5 (3.64)	99.7 (3.93)	83.1 (3.27)
G	17 (0.67)	21 (0.83)	21 (0.83)	(Note 1)	20 (0.79)	20 (0.79)	17 (0.67)	17 (0.67)	17 (0.67)	21 (0.83)	21 (0.83)	14 (0.55)	14 (0.55)	20 (0.79)	20 (0.79)	17 (0.67)
WEIGHT kg	9.8 (21.61lb)							13.2 (29.11lb)								

(Note 1) The hole is not provided.

(Note 2) The flow direction is opposite (right to left when facing onto indicator) in case of code / CRC.



### Terminal Wiring

Remote Type Detector	A	} Signal Output Terminal
	B	
	⊥ Ground Terminal	

\* Use DYC signal cable