

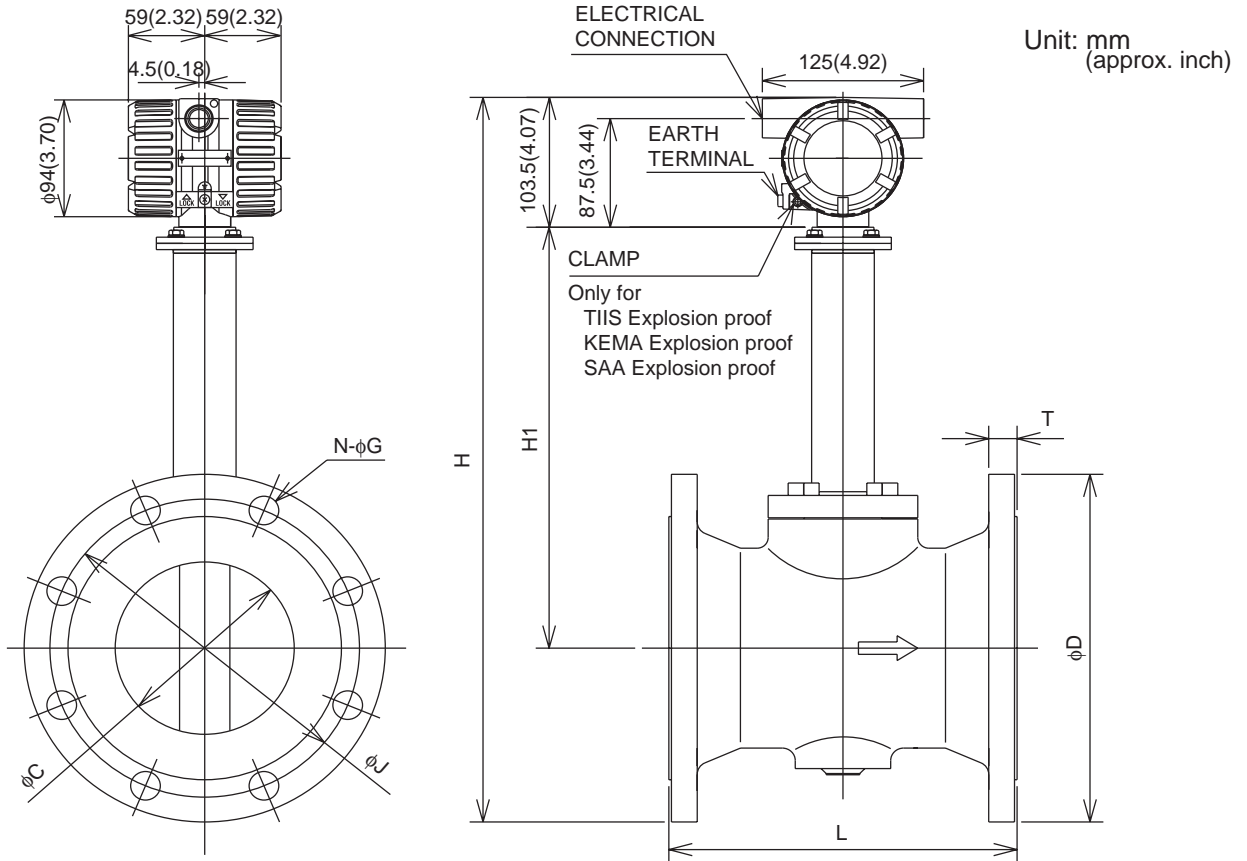
Drawings

Models DY150 and DY200
(digitalYEWFLO)

digitalYEWFLO

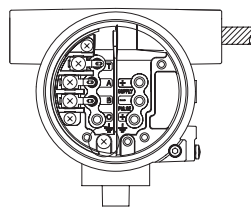
High Process Temperature Version(/HT)

Digital Vortex Flowmeter (Remote and Flange type)



TYPE	Only for REMOTE																								
CODE	DY150 (150mm,6 in) / HT										DY200 (200mm,8 in) / HT														
PROCESS CONNECTION	BJ1	BJ2	BJ4	BA1 BS1	BA2 BS2	BA4 BS4	BA5 BS5	BD1 - BD2	BD3 - BD4	BD5	BD6	CA4	CA5	BJ1	BJ2	BA1 BS1	BA2 BS2	BA4 BS4	BA5 BS5	BD1	BD2	BD3	BD4	CA4	CA5
L	270 (10.63)										310 (12.20)														
C	138.8 (5.46)										185.6 (7.31)														
D	280 (11.02)	305 (12.01)	355 (13.98)	279.4 (11.00)	317.5 (12.50)	356 (14.02)	381 (15.00)	285 (11.22)	300 (11.81)	345 (13.58)	355 (14.02)	366 (14.37)	381 (15.00)	330 (12.99)	350 (13.78)	342.9 (13.50)	381 (15.00)	419.1 (16.50)	469.9 (18.50)	340 (13.39)	360 (14.17)	375 (14.76)	419.1 (16.50)	469.9 (18.50)	
H	583 (22.95)	595 (23.43)	620 (24.41)	582 (22.91)	601 (23.66)	621 (24.45)	633 (24.92)	585 (23.03)	593 (23.35)	615 (24.21)	620 (24.41)	621 (24.45)	633 (24.92)	640 (25.20)	650 (25.59)	646 (25.43)	665 (26.18)	684 (26.93)	709 (27.91)	645 (25.39)	655 (25.79)	662 (26.06)	684 (26.93)	709 (27.91)	
H1	339 (13.35)										371 (14.61)														
T	22 (0.87)	28 (1.10)	44 (1.73)	25.4 (1.00)	36.6 (1.44)	54.4 (2.14)	62 (2.44)	22 (0.87)	28 (1.10)	36 (1.42)	44 (1.73)	55.7 (2.19)	63.6 (2.50)	22 (0.87)	30 (1.18)	28.4 (1.12)	41.1 (1.62)	62 (2.44)	69.9 (2.75)	24 (0.95)	24 (0.95)	30 (1.18)	34 (1.34)	63.6 (2.50)	
J	240 (9.45)	260 (10.24)	295 (11.61)	241.3 (9.50)	269.7 (10.62)	292 (11.50)	317.5 (12.50)	240 (9.45)	250 (9.84)	280 (11.02)	290 (11.42)	292 (11.50)	317.5 (12.50)	290 (11.42)	305 (12.01)	298.5 (11.75)	330.2 (13.00)	349.3 (13.75)	393.7 (15.50)	295 (11.61)	295 (11.61)	310 (12.20)	320 (12.60)	349.3 (13.75)	
N	8 (0.31)	12 (0.47)	12 (0.47)	8 (0.31)	12 (0.47)	12 (0.47)	12 (0.47)	8 (0.31)	8 (0.31)	8 (0.31)	12 (0.47)	12 (0.47)	12 (0.47)	8 (0.31)	12 (0.47)	8 (0.31)	12 (0.47)	12 (0.47)	12 (0.47)	8 (0.31)	8 (0.31)	12 (0.47)	12 (0.47)	12 (0.47)	
G	23 (0.91)	25 (0.98)	33 (1.30)	22.4 (0.88)	22.4 (0.88)	28.4 (1.12)	31.8 (1.25)	22 (0.87)	26 (1.02)	33 (1.30)	33 (1.30)	28.4 (1.12)	31.8 (1.25)	23 (0.91)	25 (0.98)	22.4 (0.88)	22.4 (0.88)	31.8 (1.25)	38.1 (1.50)	22 (0.87)	22 (0.87)	26 (1.02)	30 (1.18)	31.8 (1.25)	
WEIGHT	kg	33.4	43.4	76.4	36.4	54.4	84.4	106	33.4	42.9	58.1	76.4	90	107	45.4	52.4	55.4	80.4	136	182	46.3	53.6	55.9	139	
	lb	73.65	95.70	168.46	80.26	119.95	186.10	233.73	73.65	94.59	128.11	168.46	198.45	235.94	100.11	115.54	122.16	177.28	299.88	401.31	102.09	118.19	123.26	306.50	

(Note 1) The flow direction is opposite (right to left when facing onto indicator) in case of code / CRC.



Remote type

Terminal Wiring

Remote Type Detector	T	Built-in Temperature Sensor Terminal
	A	Signal Output Terminal
	B	
	C	Common Terminal
	⊕	Ground Terminal

* Use DYC signal cable
* T is used for /MV only.