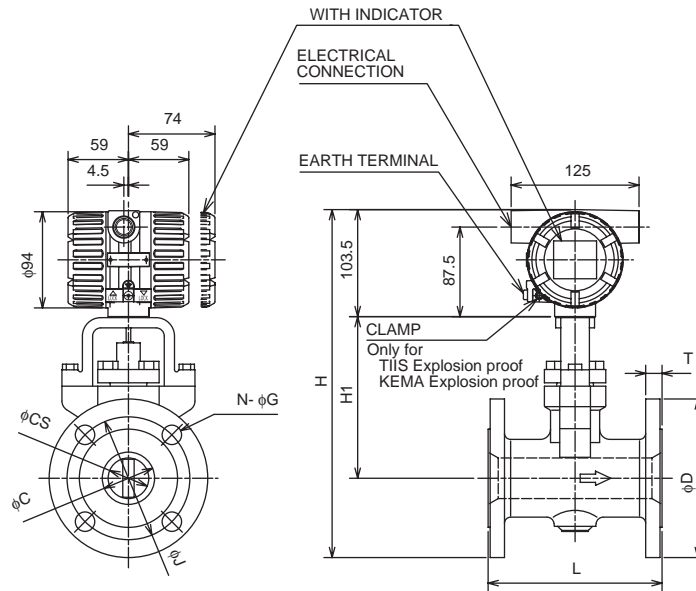


# Drawings

Models DY025, DY040, DY050  
(digitalYEWFLOW)  
Reduced Bore Type(/R1)  
Digital Vortex Flowmeter(Flange type)

digitalYEWFLOW

Unit: mm

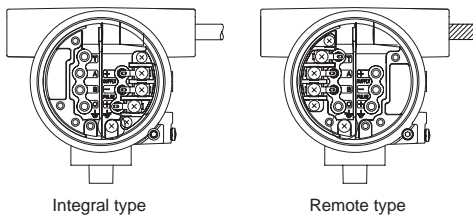


Model Code	DY025 /R1			
Process Connection	BJ1	BJ2	BA1 BS1 BP1	BA2 BS2 BP2
L	150			
C	25.7			
CS	14.6			
D	125	125	108	124
H	293	293	284.5	292.5
H1	127			
T	14	16	14.2	17.5
J	90	90	79.2	89
N	4			
G	19	19	15.7	19
Weight kg	6.1	6.5	5.5	7.0

Model Code	DY040 /R1			
Process Connection	BJ1	BJ2	BA1 BS1 BP1	BA2 BS2 BP2
L	150			
C	39.7			
CS	25.7			
D	140	140	127	155.4
H	302.5	302.5	296	310
H1	129			
T	16	18	17.5	20.6
J	105	105	98.6	114.3
N	4			
G	19	19	15.7	22.4
Weight kg	9.5	10.1	9.4	12.6

Model Code	DY050 /R1			
Process Connection	BJ1	BJ2	BA1 BS1 BP1	BA2 BS2 BP2
L	170			
C	51.1			
CS	39.7			
D	155	155	152.4	165.1
H	317	317	315.5	322
H1	136			
T	16	18	19.1	22.4
J	120	120	120.7	127
N	4			
G	19	19	19	19
Weight kg	10.5	11.1	11.4	13.6

- (Note.1) Integral weight is the same as Remote.  
 (Note.2) In case of with indicator, add 0.2kg.  
 (Note.3) The hole is not provided.  
 (Note.4) The flow direction is opposite (right to left when facing onto indicator) in case of code /CRC.



### Terminal Wiring

<b>Integral Type</b> (BRAIN or HART protocol)	SUPPLY +	} Power Supply and 4 to 20mA DC Output Terminal
	-	
<b>Integral Type</b> (Foundation Fieldbus)	PULSE +	} Pulse Output Terminal
	-	
<b>Remote Type Detector</b>	SUPPLY +	} Fieldbus Communication Terminal
	SUPPLY -	
	T	} Built-in Temperature Sensor Terminal Signal Output Terminal
	A	
	B	
C	Common Terminal	
$\perp$	Ground Terminal	

\* Use DYC signal cable for remote type  
 \* T is used for /MV only.