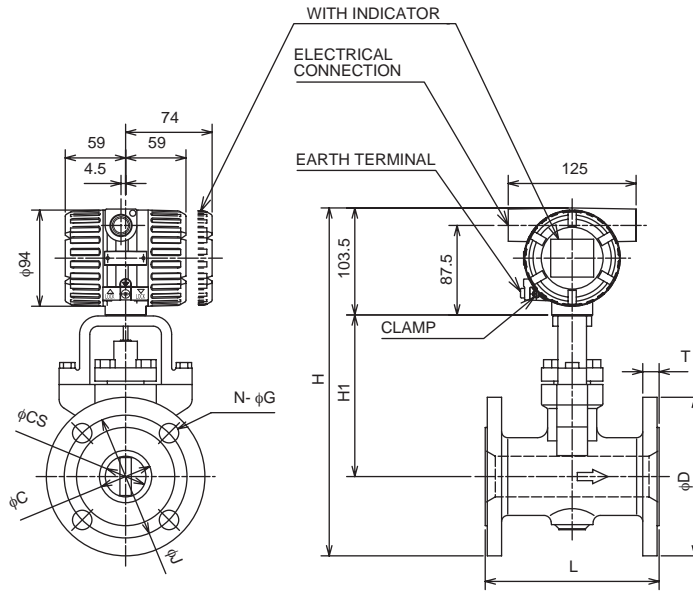


Drawings

Models DY025, DY040, DY050
 (digitalYEWFL0)
 Reduced Bore Type(/R1)
 Digital Vortex Flowmeter(Flange type)

digitalYEWFL0

Unit: mm



Model Code	DY025 /R1			
Process Connection	BJ1	BJ2	BA1 BS1 BP1	BA2 BS2 BP2
L	150			
C	25.7			
CS	14.6			
D	125	125	108	124
H	293	293	284.5	292.5
H1	127			
T	14	16	14.2	17.5
J	90	90	79.2	89
N	4			
G	19	19	15.7	19
Weight kg	6.1	6.5	5.5	7.0

Model Code	DY040 /R1			
Process Connection	BJ1	BJ2	BA1 BS1 BP1	BA2 BS2 BP2
L	150			
C	39.7			
CS	25.7			
D	140	140	127	155.4
H	302.5	302.5	296	310
H1	129			
T	16	18	17.5	20.6
J	105	105	98.6	114.3
N	4			
G	19	19	15.7	22.4
Weight kg	9.5	10.1	9.4	12.6

Model Code	DY050 /R1			
Process Connection	BJ1	BJ2	BA1 BS1 BP1	BA2 BS2 BP2
L	170			
C	51.1			
CS	39.7			
D	155	155	152.4	165.1
H	317	317	315.5	322
H1	136			
T	16	18	19.1	22.4
J	120	120	120.7	127
N	4	8	4	8
G	19	19	19	19
Weight kg	10.5	11.1	11.4	13.6