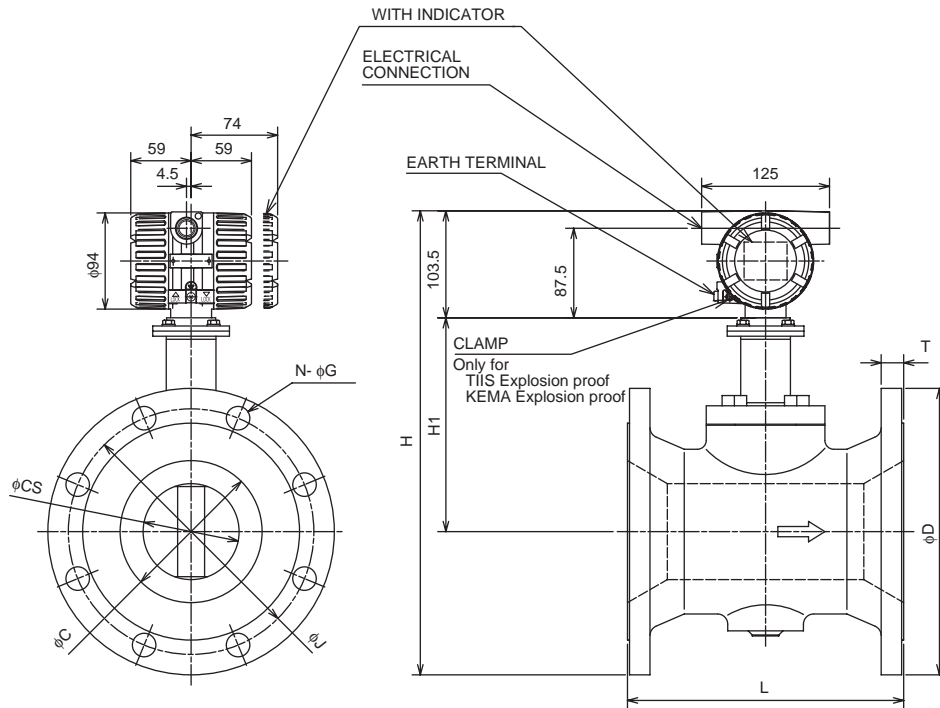


# Drawings

Model DY200  
(digitalYEWFLO)  
Reduced Bore Type(/R1)  
Digital Vortex Flowmeter(Flange type)

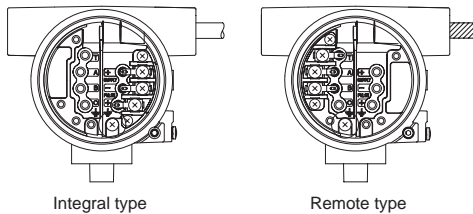
digitalYEWFLO

Unit: mm



Model Code	DY200 /R1			
Process Connection	BJ1	BJ2	BA1 BS1 BP1	BA2 BS2 BP2
L	310			
C	185.6			
CS	138.8			
D	330	350	342.9	381
H	477.5	487.5	484	503
H1	209			
T	22	30	28.4	41.1
J	290	305	298.5	330.2
N	12	12	8	12
G	23	25	22.4	25.4
Weight kg	58.7	74.1	70.7	102.9

- (Note.1) Integral weight is the same as Remote.  
 (Note.2) In case of with indicator, add 0.2kg.  
 (Note.3) The hole is not provided.  
 (Note.4) The flow direction is opposite (right to left when facing onto indicator) in case of code /CRC.



### Terminal Wiring

Integral Type (BRIN or HART protocol)	SUPPLY + } Power Supply and
	SUPPLY - } 4 to 20mA DC Output Terminal
	PULSE + } Pulse Output Terminal
Integral Type (Foundation Fieldbus)	SUPPLY + } Fieldbus Communication Terminal
	SUPPLY - }
Remote Type Detector	T Built-in Temperature Sensor Terminal
	A } Signal Output Terminal
	B }
	C Common Terminal
	⏏ Ground Terminal

\* Use DYC signal cable for remote type  
 \* T is used for /MV only.