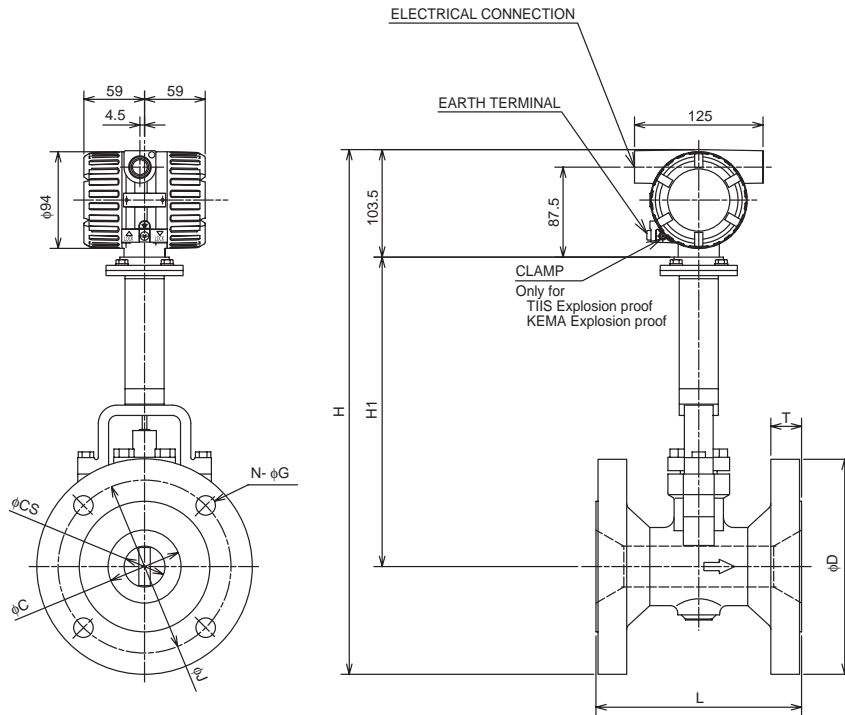


# Drawings

Models DY050, DY080, DY100,  
DY150, DY200(digitalYEWFL0)  
Reduced Bore Type(/R2)  
High Process Temperature Version(/HT)  
Digital Vortex Flowmeter(Flange type)

digitalYEWFL0

Unit: mm



Model Code	DY050 /R2/HT			
Process Connection	BJ1	BJ2	BA1 BS1 BP1	BA2 BS2 BP2
L	170			
C	51.1			
CS	25.7			
D	155	155	152.4	165.1
H	453	453	451.7	458.1
H1	272			
T	16	18	19.1	22.4
J	120	120	120.7	127
N	4	8	4	8
G	19			
Weight kg	10.4	10.9	11	12.5

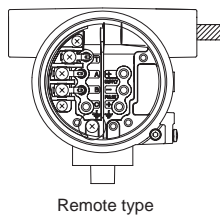
Model Code	DY080 /R2/HT			
Process Connection	BJ1	BJ2	BA1 BS1 BP1	BA2 BS2 BP2
L	200			
C	71			
CS	39.7			
D	185	200	190.5	209.6
H	475	482.5	477.8	487.3
H1	279			
T	18	22	23.9	28.4
J	150	160	152.4	168.2
N	8	8	4	8
G	19	23	19	22.4
Weight kg	14	16.6	16.6	20.4

Model Code	DY100 /R2/HT			
Process Connection	BJ1	BJ2	BA1 BS1 BP1	BA2 BS2 BP2
L	220			
C	93.8			
CS	51.1			
D	210	225	228.6	254
H	509.5	517	518.8	531.5
H1	301			
T	18	24	23.9	31.8
J	175	185	190.5	200.2
N	8			
G	19	23	19	22.4
Weight kg	21.3	25.3	25.9	34.4

Model Code	DY150 /R2/HT			
Process Connection	BJ1	BJ2	BA1 BS1 BP1	BA2 BS2 BP2
L	270			
C	138.8			
CS	71			
D	280	305	279.4	317.5
H	561.5	574	561.2	580.3
H1	318			
T	22	28	25.4	36.6
J	240	260	241.3	269.7
N	8	12	8	12
G	23	25	22.4	22.4
Weight kg	40.3	50.3	43.3	61.3

Model Code	DY200 /R2/HT			
Process Connection	BJ1	BJ2	BA1 BS1 BP1	BA2 BS2 BP2
L	310			
C	185.6			
CS	93.8			
D	330	350	342.9	381
H	601.5	611.5	608	627
H1	333			
T	22	30	28.4	41.1
J	290	305	298.5	330.2
N	12	12	8	12
G	23	25	22.4	25.4
Weight kg	61.9	68.9	71.9	96.9

(Note.1) The flow direction is opposite (right to left when facing onto indicator) in case of code /CRC.



### Terminal Wiring

Remote Type Detector	T	Built-in Temperature Sensor Terminal
	A	Signal Output Terminal
	B	
	C	Common Terminal
		⏏ Ground Terminal

\* Use DYC signal cable  
\* T is used for /MV only.