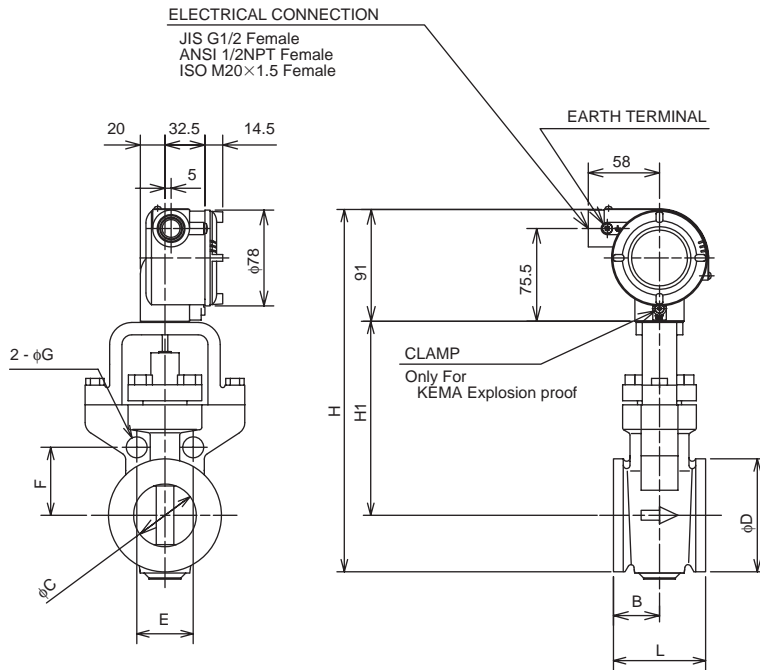


Drawings

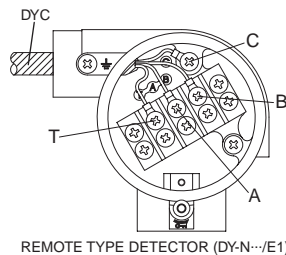
Models DY015, DY025, DY040, DY050, **digitalYEWFL0**
 DY080, DY100 (digitalYEWFL0)
 Stainless Steel Housing (/E1)
 Digital Vortex Flowmeter (Wafer type)

Unit: mm



Model Code	DY015 (15A) /E1						DY025 (25A) /E1						DY040 (40A) /E1								
	AJ1	AJ2	AJ4	AP1 AA1	AP2 AA2	AP4 AA4	AD1 to AD4	AJ1	AJ2	AJ4	AP1 AA1	AP2 AA2	AP4 AA4	AD1 to AD4	AJ1	AJ2	AJ4	AP1 AA1	AP2 AA2	AP4 AA4	AD1 to AD4
L	70						70						70								
B	35						35						35								
C	14.6						25.7						39.7								
D	35.1						50.8						73								
H	235.5						245.4						263.5								
H1	127						129						136								
E	49.5	49.5	56.6	42.7	47.1	47.1	46	63.6	63.6	67.2	56	62.9	62.9	60.1	74.2	74.2	84.9	69.7	80.8	80.8	77.8
F	24.7	24.7	28.3	21.4	23.5	23.5	23	31.8	31.8	33.6	28	31.4	31.4	30.1	37.1	37.1	42.4	34.8	40.4	40.4	38.9
G	13	13	17	14	14	14	13	17	17	17	14	17	17	13	17	17	21	14	20	20	17
Weight kg	2.9						3.8						4.4								

Model Code	DY050 (50A) /E1						DY080 (80A) /E1						DY100 (100A) /E1									
	AJ1	AJ2	AJ4	AP1 AA1	AP2 AA2	AP4 AA4	AD1 to AD4	AJ1	AJ2	AJ4	AP1 AA1	AP2 AA2	AP4 AA4	AD1 to AD2	AD3 to AD4	AJ1	AJ2	AJ4	AP1 AA1	AP2 AA2	AP4 AA4	AD1 to AD2
L	75						100						120									
B	37.5						40						50									
C	51.1						71						93.8									
D	92						127						157.2									
H	295						329.5						359.6									
H1	158						175						190									
E	45.9	49.8		48.6	48.6		57.4	61.2	65.1		64.4	64.4	61.2	61.2	67	70.8	78.5	72.9	76.6	82.6	68.9	72.7
F	55.4	60.1		58.7	58.7		69.3	73.9	78.5		77.7	77.7	73.9	73.9	80.8	85.5	94.7	88	92.5	99.7	83.1	87.8
G	17	17		17	17		17	21	21		20	20	17	17	17	21	23	17	20	23	17	21
Weight kg	6.1						9.5						12.9									



Terminal Wiring

Remote Type Detector	T	Built-in Temperature Sensor Terminal
	A	Signal Output Terminal
	B	
	C	Common Terminal
	⏏	Ground Terminal

* Use DYC signal cable
 * T is used for /MV only.