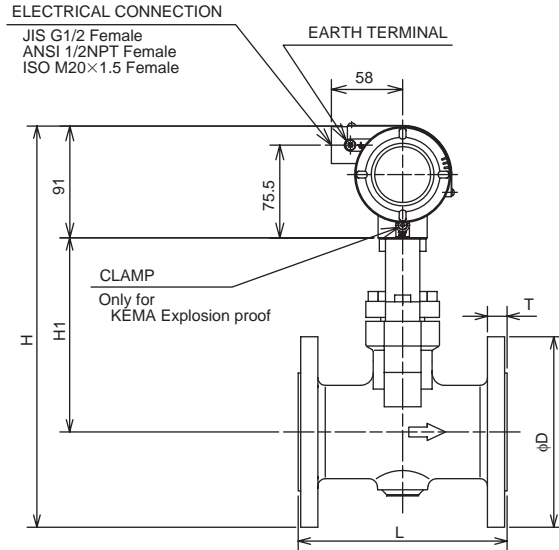
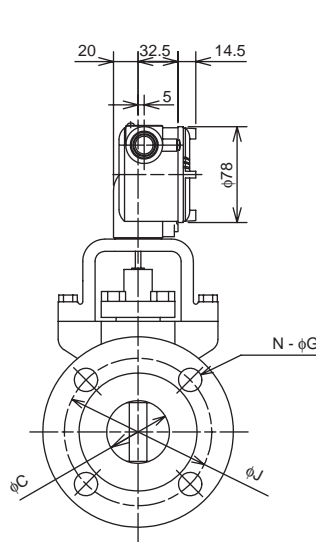


# Drawings

Models DY015, DY025, DY040, DY050, digitalYEWFL0  
 DY080, DY100 (digitalYEWFL0)  
 Stainless Steel Housing(/E1)  
 Digital Vortex Flowmeter (Flange type)



Unit: mm

Model Code	DY015 (15A) /E1										
Process Connection	BJ1	BJ2	BJ4	BP1 BS1 BA1	BP2 BS2 BA2	BP4 BS4 BA4	BS5 BA5	BD1 to BD4	BD5 to BD6	CA4	CA5
L	130						160	130		140	160
C	14.6										
D	95	95	115	88.9	95.3	95.3	120.7	95	105	95.3	120.7
H	265.5	265.5	275.5	262.5	265.5	265.5	278.5	265.5	270.5	265.5	278.5
H1	127										
T	12	14	20	11.2	14.2	21	28.8	16	20	19.9	28.8
J	70	70	80	60.5	66.5	66.5	82.6	65	75	66.5	82.6
N	4										
G	15	15	19	15.7	15.7	15.7	22.4	14	14	15.7	22.4
Weight kg	4.3	4.4	6	4.2	4.4	4.7	6.8	4.3	5.5	4.6	6.9

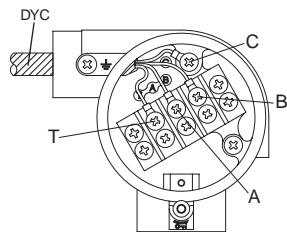
Model Code	DY025 (25A) /E1										
Process Connection	BJ1	BJ2	BJ4	BP1 BS1 BA1	BP2 BS2 BA2	BP4 BS4 BA4	BS5 BA5	BD1 to BD4	BD5 to BD6	CA4	CA5
L	150						190	150		170	190
C	25.7										
D	125	125	130	108	124	124	149.4	115	140	124	149.4
H	282.5	282.5	285	274	282	282	294.7	277.5	290	282	294.7
H1	129										
T	14	16	22	14.2	17.5	24	34.9	18	24	24	34.9
J	90	90	95	79.2	89	89	101.6	85	100	89	101.6
N	4										
G	19	19	19	15.7	19	19	25.4	14	18	19	25.4
Weight kg	7	7.2	8.7	6.7	7.3	7.8	11.2	7	9.7	8	11.5

Model Code	DY040 (40A) /E1										
Process Connection	BJ1	BJ2	BJ4	BP1 BS1 BA1	BP2 BS2 BA2	BP4 BS4 BA4	BS5 BA5	BD1 to BD4	BD5 to BD6	CA4	CA5
L	150						200	150		185	200
C	39.7										
D	140	140	160	127	155.4	155.4	177.8	150	170	155.4	177.8
H	297	297	307	290.5	304.7	304.7	315.9	302	312	304.7	315.9
H1	136										
T	16	18	26	17.5	20.6	28.8	38.2	18	26	28.8	38.2
J	105	105	120	98.6	114.3	114.3	124	110	125	114.3	124
N	4										
G	19	19	23	15.7	22.4	22.4	28.4	18	22	22.4	28.4
Weight kg	8.3	8.5	12	8.2	9.4	11.4	16.3	8.9	12.8	11.8	16.4

Model Code	DY050 (50A) /E1										
Process Connection	BJ1	BJ2	BJ4	BP1 BS1 BA1	BP2 BS2 BA2	BP4 BS4 BA4	BS5 BA5	BD1 to BD4	BD5 to BD6	CA4	CA5
L	170						230	170		205	230
C	51.1										
D	155	155	165	152.4	165.1	165.1	215.9	165	180	195	215.9
H	326.5	326.5	331.5	325.2	331.5	331.5	357	331.5	339	346.5	357
H1	158										
T	16	18	26	19.1	22.4	31.8	44.5	20	26	28	33.3
J	120	120	130	120.7	127	127	165.1	125	135	145	165.1
N	4										
G	19	19	19	19	19	19	25.4	18	22	26	25.4
Weight kg	11.2	11.7	14.4	11.8	13.3	14.9	26.6	11.4	14.4	15.3	15.9

Model Code	DY080 (80A) /E1											
Process Connection	BJ1	BJ2	BJ4	BP1 BS1 BA1	BP2 BS2 BA2	BP4 BS4 BA4	BS5 BA5	BD1 to BD2	BD3 to BD4	BD5 to BD6	CA4	CA5
L	200						245	200		235	250	
C	71											
D	185	200	210	190.5	209.6	209.6	241.3	200	200	215	230	209.6
H	358.5	366	371	361.5	370.8	370.8	386.5	366	366	373.5	381	370.8
H1	175											
T	18	22	32	23.9	28.4	38.2	44.5	20	24	28	32	39.7
J	150	160	170	152.4	168.2	168	190.5	160	160	170	180	168
N	8											
G	19	23	23	19	22.4	22.4	25.4	18	18	22	26	22.4
Weight kg	17.5	20.1	25.5	20.1	23.9	25.5	35.8	19.5	20.1	24.2	27.1	27.2

Model Code	DY100 (100A) /E1											
Process Connection	BJ1	BJ2	BJ4	BP1 BS1 BA1	BP2 BS2 BA2	BP4 BS4 BA4	BS5 BA5	BD1 to BD2	BD3 to BD4	BD5 to BD6	CA4	CA5
L	220						280	220		270	285	
C	93.8											
D	210	225	250	228.6	254	273	292.1	220	235	250	265	273
H	386	393.5	406	395.3	408	417.5	427	391	398.5	406	413.5	417.5
H1	190											
T	18	24	36	23.9	31.8	44.5	50.9	20	24	30	36	46
J	175	185	205	190.5	200.2	216	235	180	190	200	210	216
N	8											
G	19	23	25	19	22.4	25.4	31.8	18	22	26	30	25.4
Weight kg	22.9	26.9	38.2	27.5	36	50.9	56	23.3	27.5	33.1	39.8	52.9



### Terminal Wiring

T	Built-in Temperature Sensor Terminal
A	Signal Output Terminal
B	
C	Common Terminal
⏏	Ground Terminal

\* Use DYC signal cable  
 \* T is used for /MV only.