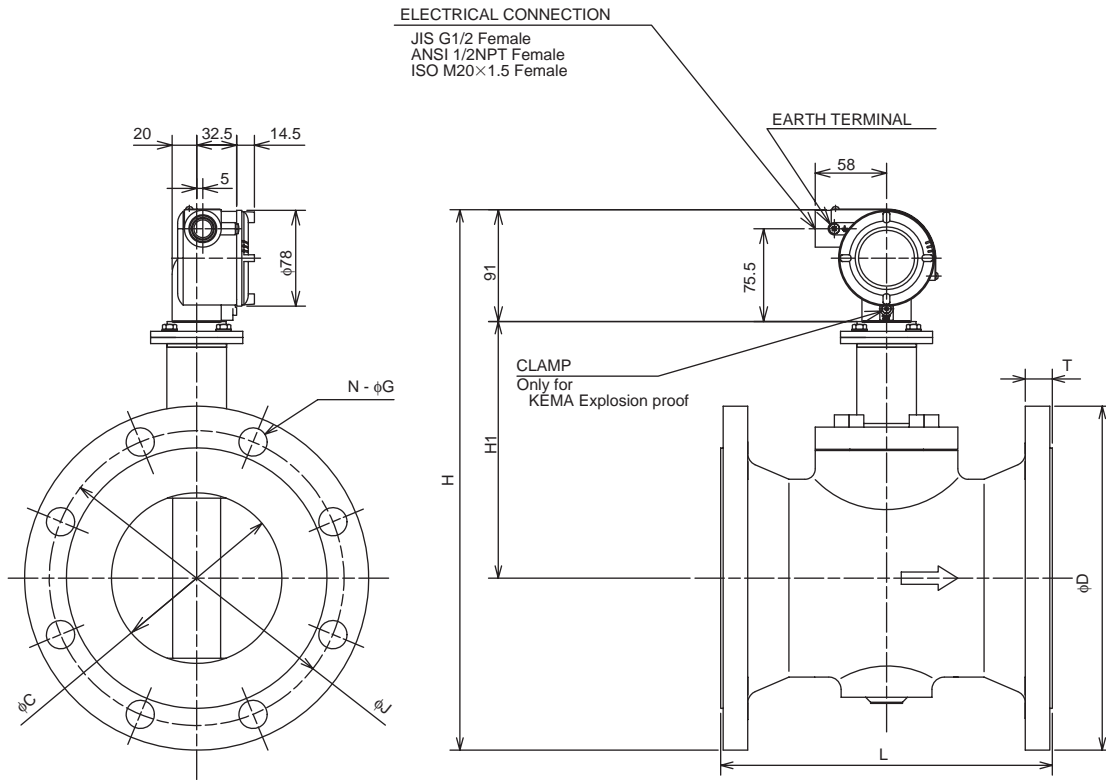


Drawings

Models DY150, DY200, DY250,
DY300 (digitalYEWFL0)
Stainless Steel Housing(/E1)
Digital Vortex Flowmeter (Flange type)

digitalYEWFL0

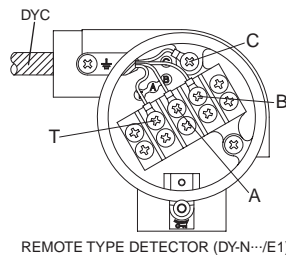
Unit: mm



Model Code	DY150 (150A) /E1													
Process Connection	BJ1	BJ2	BJ4	BP1 BS1 BA1	BP2 BS2 BA2	BP4 BS4 BA4	BS5 BA5	BD1 to BD2	BD3 to BD4	BD5	BD6	CA4	CA5	
L	270			310			336	270					325	340
C	138.8													
D	280	305	355	279.4	317.5	356	381	285	300	345	355	356	381	
H	440	452.4	477.5	439.7	458.5	478	490.5	442.5	450	472.5	477.5	478	490.5	
H1	209													
T	22	28	44	25.4	36.6	54.4	62	22	28	36	44	55.7	63.6	
J	240	260	295	241.3	269.7	292	317.5	240	250	280	290	292	317.5	
N	8	12	12	8	12	12	12	8	8	8	12	12	12	
G	23	25	33	22.4	22.4	28.4	31.8	22	26	33	33	28.4	31.8	
Weight kg	33.5	43.5	76.5	36.5	54.5	84.5	106.1	33.5	43	58.2	76.5	90.1	107.1	

Model Code	DY200 (200A) /E1													
Process Connection	BJ1	BJ2	BP1 BS1 BA1	BP2 BS2 BA2	BS4 BA4	BS5 BA5	BD1	BD2	BD3	BD4	CA4	CA5		
L	310		370		386		310						375	390
C	185.6													
D	330	350	342.9	381	419.1	469.9	340	340	360	375	419.1	469.9		
H	497	507	503.5	522.5	541.5	567	502	502	512	519.5	541.5	567		
H1	241													
T	22	30	28.4	41.1	62	69.9	24	24	30	34	63.6	71.4		
J	290	305	298.5	330.2	349.3	393.7	295	295	310	320	349.3	393.7		
N	12	12	8	12	12	12	8	12	12	12	12	12		
G	23	25	22.4	25.4	31.8	38.1	22	22	26	30	31.8	38.1		
Weight kg	45.5	52.5	55.5	80.5	136.1	182.1	46.4	46.4	53.7	56	139.1	183.1		

Model Code	DY250 (250A) /E1				DY300 (300A) /E1			
Process Connection	BJ1	BJ2	BP1 BS1 BA1	BP2 BS2 BA2	BJ1	BJ2	BP1 BS1 BA1	BP2 BS2 BA2
L	370				400			
C	230.8				276.2			
D	400	430	406.4	444.5	445	480	482.6	520.7
H	568	583	571.2	590.5	620.5	638	639.3	658.5
H1	277				307			
T	24	34	30.2	47.8	24	36	31.8	50.8
J	355	380	362	387.4	400	430	431.8	450.9
N	12	12	12	16	16	16	12	16
G	25	27	25.4	28.5	25	27	25.4	31.8
Weight kg	78.1	100.1	90.1	125.1	100.1	128.1	140.1	178.1



Terminal Wiring

Remote Type Detector	T	Built-in Temperature Sensor Terminal
	A B	Signal Output Terminal
	C	Common Terminal
	⏏	Ground Terminal

* Use DY-C signal cable
* T is used for /MV only.