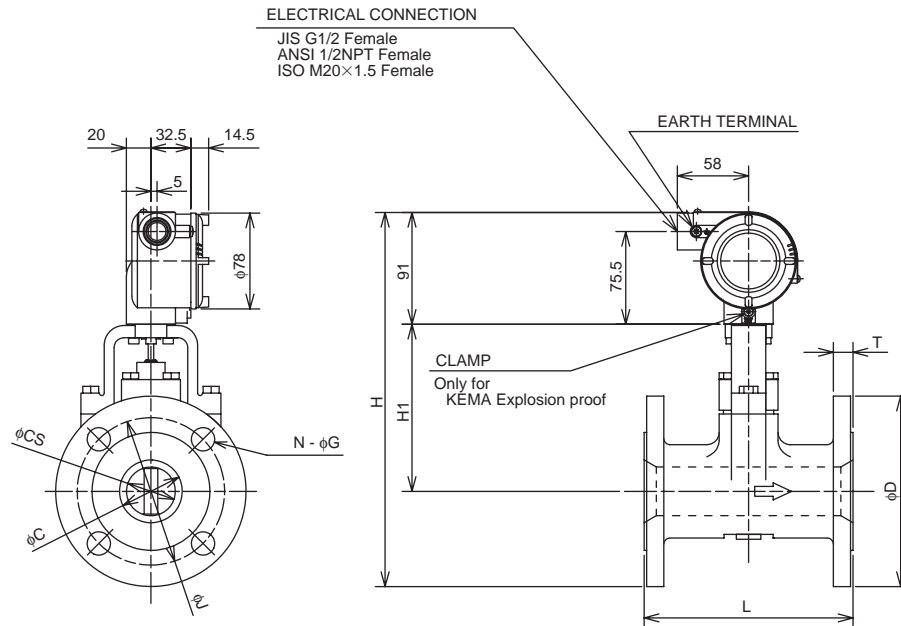


Drawings

Models DY025, DY040, DY050, DY080, **digitalYEWFL0**
 DY100, DY150 (digitalYEWFL0)
 Stainless Steel Housing (/E1)
 Reduced Bore Type (/R1)
 Digital Vortex Flowmeter (Flange type)

Unit: mm



Model Code	DY025 /E1 /R1			
Process Connection	BJ1	BJ2	BA1 BS1 BP1	BA2 BS2 BP2
L	150			
C	25.7			
CS	14.6			
D	125	125	108	124
H	280.5	280.5	272	280
H1	127			
T	14	16	14.2	17.5
J	90	90	79.2	89
N	4			
G	19	19	15.7	19
Weight kg	6.2	6.6	5.6	7.1

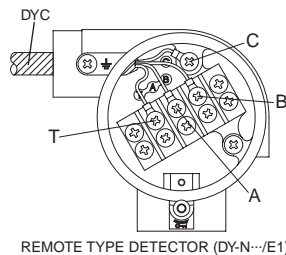
Model Code	DY040 /E1 /R1			
Process Connection	BJ1	BJ2	BA1 BS1 BP1	BA2 BS2 BP2
L	150			
C	39.7			
CS	25.7			
D	140	140	127	155.4
H	290	290	283.5	297.7
H1	129			
T	16	18	17.5	20.6
J	105	105	98.6	114.3
N	4			
G	19	19	15.7	22.4
Weight kg	9.7	10.2	9.5	12.7

Model Code	DY050 /E1 /R1			
Process Connection	BJ1	BJ2	BA1 BS1 BP1	BA2 BS2 BP2
L	170			
C	51.1			
CS	39.7			
D	155	155	152.4	165.1
H	304.5	304.5	303.2	309.5
H1	136			
T	16	18	19.1	22.4
J	120	120	120.7	127
N	4	8	4	8
G	19	19	19	19
Weight kg	10.6	11.2	11.5	13.7

Model Code	DY080 /E1 /R1			
Process Connection	BJ1	BJ2	BA1 BS1 BP1	BA2 BS2 BP2
L	200			
C	71			
CS	51.1			
D	185	200	190.5	209.6
H	341.5	349	344.5	353.8
H1	158			
T	18	22	23.9	28.4
J	150	160	152.4	168.2
N	8	8	4	8
G	19	23	19	22.4
Weight kg	18.7	21.8	22	27

Model Code	DY100 /E1 /R1			
Process Connection	BJ1	BJ2	BA1 BS1 BP1	BA2 BS2 BP2
L	220			
C	93.8			
CS	71			
D	210	225	228.6	254
H	371	378.5	380.3	393
H1	175			
T	18	24	23.9	31.8
J	175	185	190.5	200.2
N	8			
G	19	23	19	22.4
Weight kg	25.1	30.1	30.7	41.4

Model Code	DY150 /E1 /R1			
Process Connection	BJ1	BJ2	BA1 BS1 BP1	BA2 BS2 BP2
L	270			
C	138.8			
CS	93.8			
D	280	305	279.4	317.5
H	421	433.5	420.7	439.5
H1	190			
T	22	28	25.4	36.6
J	240	260	241.3	269.7
N	8	12	8	12
G	23	25	22.4	22.4
Weight kg	46	56.4	49.5	71.8



Terminal Wiring

Remote Type Detector	T	Built-in Temperature Sensor Terminal
	A	Signal Output Terminal
	B	
	C	Common Terminal
	\perp	Ground Terminal

* Use DYc signal cable
 * T is used for /MV only.