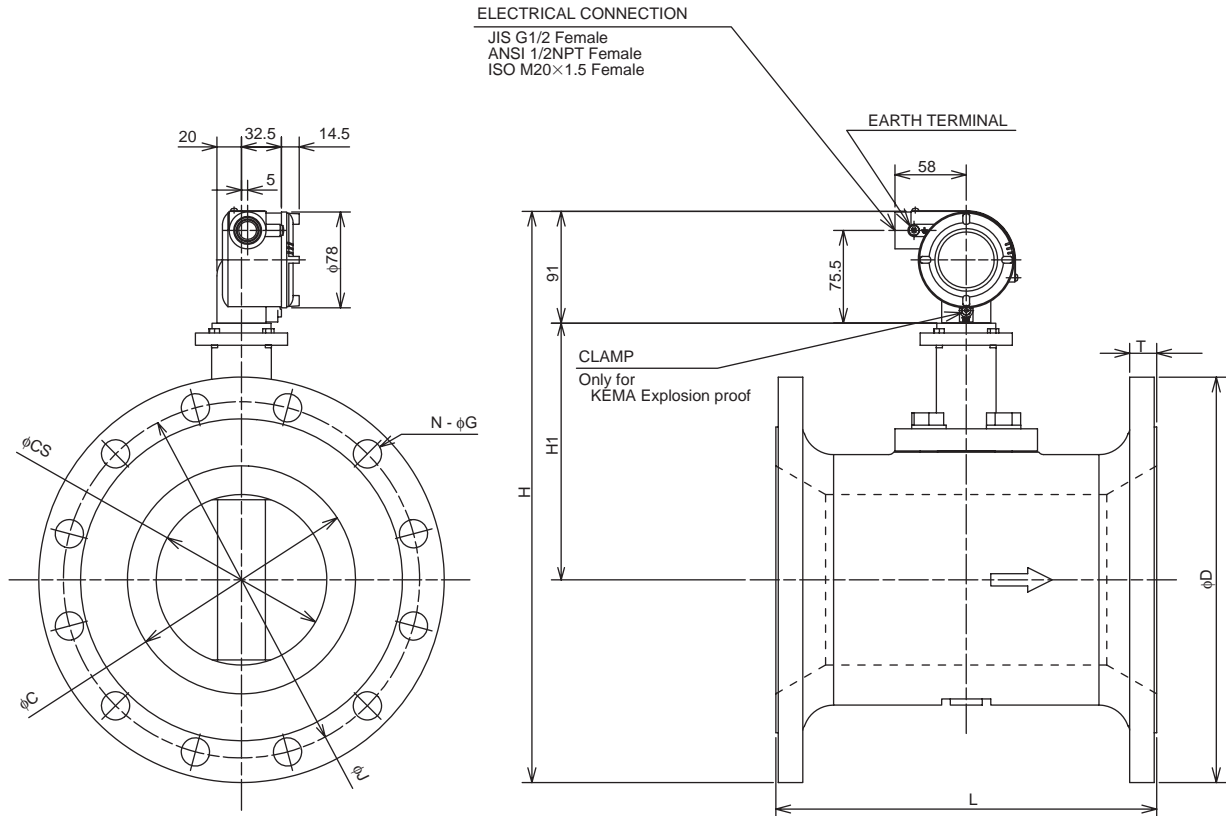


Drawings

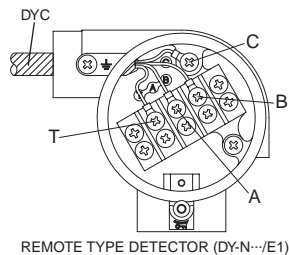
Models DY200 (digitalYEWFL0)
 Stainless Steel Housing (/E1)
 Reduced Bore Type (/R1)
 Digital Vortex Flowmeter (Flange type)

digitalYEWFL0

Unit: mm



Model Code	DY200 /E1 /R1			
Process Connection	BJ1	BJ2	BA1 BS1 BP1	BA2 BS2 BP2
L	310			
C	185.6			
CS	138.8			
D	330	350	342.9	381
H	465	475	471.5	490.5
H1	209			
T	22	30	28.4	41.1
J	290	305	298.5	330.2
N	12	12	8	12
G	23	25	22.4	25.4
Weight kg	58.8	74.2	70.8	103



Terminal Wiring

Remote Type Detector	T	Built-in Temperature Sensor Terminal	
	A	Signal Output Terminal	
	B		
	C	Common Terminal	
		⏏	Ground Terminal

* Use DYC signal cable
 * T is used for /MV only.