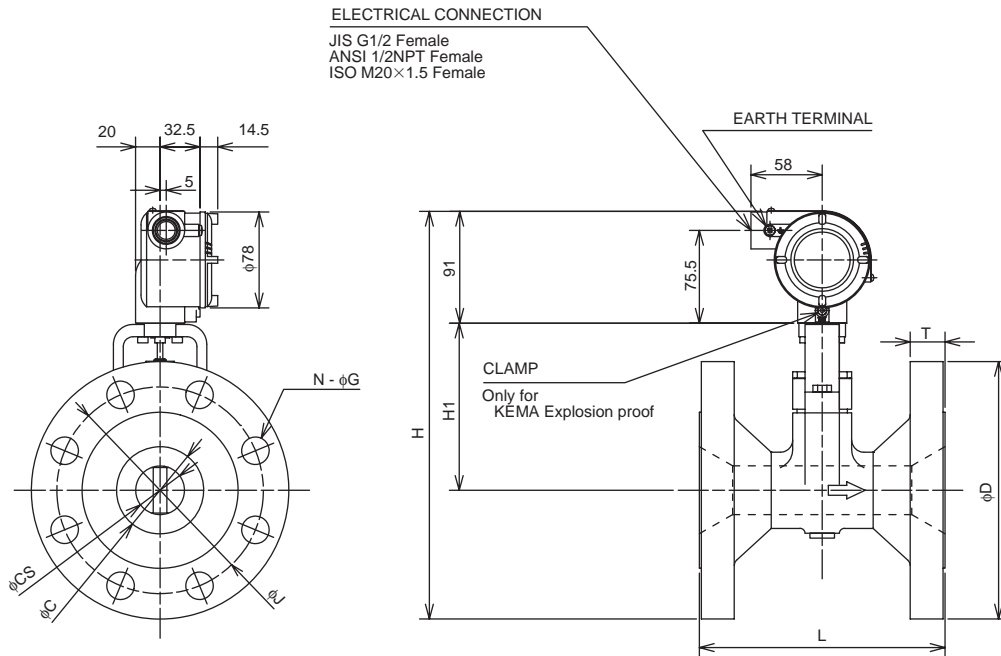


Drawings

Models DY040, DY050, DY080, DY100, **digitalYEWFL0**
 DY150, DY200 (digitalYEWFL0)
 Stainless Steel Housing (/E1)
 Reduced Bore Type (/R2)
 Digital Vortex Flowmeter (Flange type)

Unit: mm



Model Code	DY040 /E1 /R2			
Process Connection	BJ1	BJ2	BA1 BS1 BP1	BA2 BS2 BP2
L	150			
C	39.7			
CS	14.6			
D	140	140	127	155.4
H	288	288	281.5	295.7
H1	127			
T	16	18	17.5	20.6
J	105	105	98.6	114.3
N	4			
G	19	19	15.7	22.4
Weight kg	7.8	8	7.7	8.9

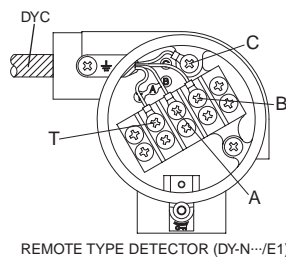
Model Code	DY050 /E1 /R2			
Process Connection	BJ1	BJ2	BA1 BS1 BP1	BA2 BS2 BP2
L	170			
C	51.1			
CS	25.7			
D	155	155	152.4	165.1
H	297.5	297.5	296.2	302.5
H1	129			
T	16	18	19.1	22.4
J	120	120	120.7	127
N	4	8	4	8
G	19			
Weight kg	10.1	10.6	10.7	12.2

Model Code	DY080 /E1 /R2			
Process Connection	BJ1	BJ2	BA1 BS1 BP1	BA2 BS2 BP2
L	200			
C	71			
CS	39.7			
D	185	200	190.5	209.6
H	319.5	327	322.5	331.8
H1	136			
T	18	22	23.9	28.4
J	150	160	152.4	168.2
N	8	8	4	8
G	19	23	19	22.4
Weight kg	13.7	16.3	16.3	20.1

Model Code	DY100 /E1 /R2			
Process Connection	BJ1	BJ2	BA1 BS1 BP1	BA2 BS2 BP2
L	220			
C	93.8			
CS	51.1			
D	210	225	228.6	254
H	354	361.5	363.3	376
H1	158			
T	18	24	23.9	31.8
J	175	185	190.5	200.2
N	8			
G	19	23	19	22.4
Weight kg	21	25	25.6	34.1

Model Code	DY150 /E1 /R2			
Process Connection	BJ1	BJ2	BA1 BS1 BP1	BA2 BS2 BP2
L	270			
C	138.8			
CS	71			
D	280	305	279.4	317.5
H	406	418.5	405.7	424.5
H1	175			
T	22	28	25.4	36.6
J	240	260	241.3	269.7
N	8	12	8	12
G	23	25	22.4	22.4
Weight kg	40.4	50.4	43.4	61.4

Model Code	DY200 /E1 /R2			
Process Connection	BJ1	BJ2	BA1 BS1 BP1	BA2 BS2 BP2
L	310			
C	185.6			
CS	93.8			
D	330	350	342.9	381
H	446	456	452.5	471.5
H1	190			
T	22	30	28.4	41.1
J	290	305	298.5	330.2
N	12	12	8	12
G	23	25	22.4	25.4
Weight kg	62	69	72	97



Terminal Wiring

Remote Type Detector	T	Built-in Temperature Sensor Terminal
	A	Signal Output Terminal
	B	
	C	Common Terminal
	⏏	Ground Terminal

* Use RYC signal cable
 * T is used for /MV only.