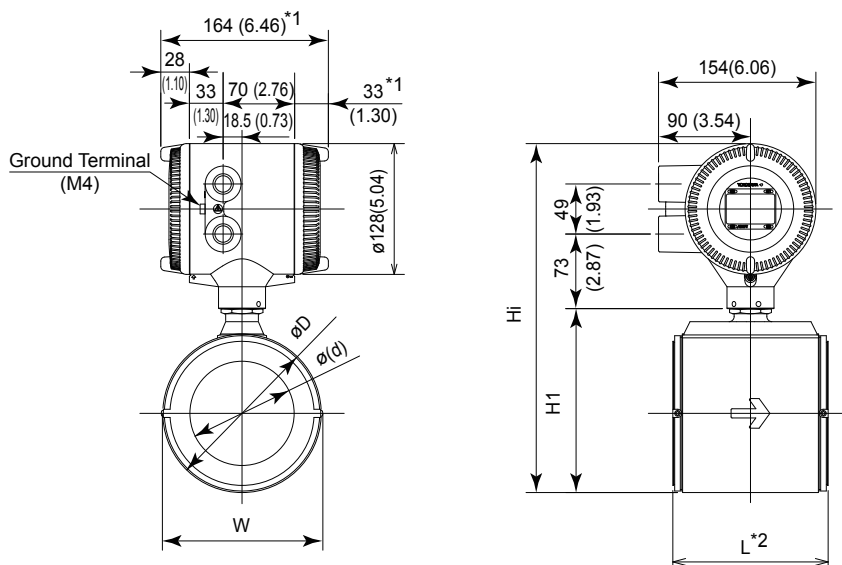


# Drawings

## AXR080, AXR100 Two-wire Magnetic Flowmeter Integral Flowmeter Lay Length Code 2 (Wafer)

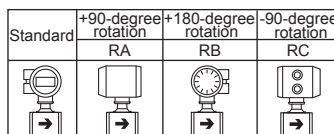


Unit: mm (approx. inch)

AXR080 G - □ 1 A □ 1 □ - A □ □ 2  
AXR100 C

Size code		080	100
Size		80 (3)	100 (4)
Lining code		A	A
Face-to-face length	L*2	160 (6.30)	180 (7.09)
Outside dia.	$\phi D$	129 (5.08)	155 (6.10)
Inter diameter of Grounding ring	$\phi d$	77 (3.03)	102 (4.02)
Width	W	129 (5.08)	155 (6.10)
Height	H1	157 (6.18)	183 (7.02)
Max. Height	Hi	319 (12.54)	345 (13.56)
Weight kg (lb)		6.5 (14.4)	8.9 (19.6)

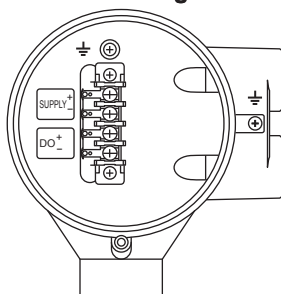
\* When option code RA, RB, or RC is selected, the direction of electrical connection change as below.



\*1: When indicator code N is selected, subtract 5 mm (0.2 inch) from the value in the figure.  
\*2: Depending on the selection of grounding ring code and optional code, add the following value to "L" (face-to-face length).

Grounding Ring Code		S, L, H	P, T	N
Optional Code	None	+0	+22 (0.87)	-2 (0.08)
	GA, GC, GD (Special Gaskets)	+8 (0.31)	+26 (1.02)	-

### Terminal configuration



### Terminal wiring

Terminal Symbols	Description
	Functional grounding
SUPPLY+ SUPPLY-	Power supply and current output
DO+	Digital output (One output can be selected from pulse, alarm or status outputs.)

Unless otherwise specified, difference in the dimensions are specified as : General tolerance =  $\pm$  (Criteria of tolerance class IT18 in JIS B0401) / 2