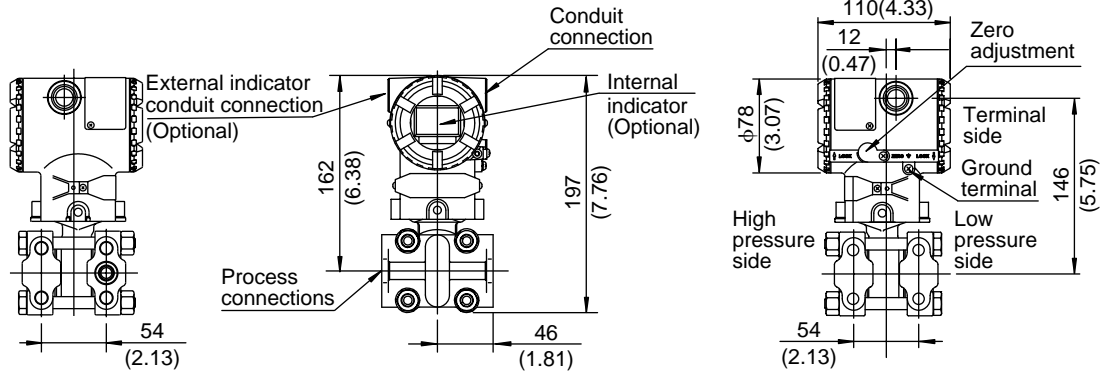
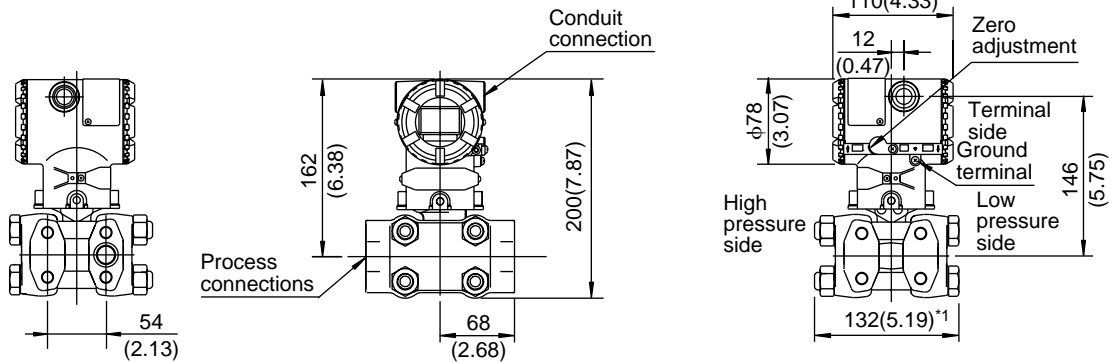


Unit: mm(approx. inch)

● EJA310A and EJA430A

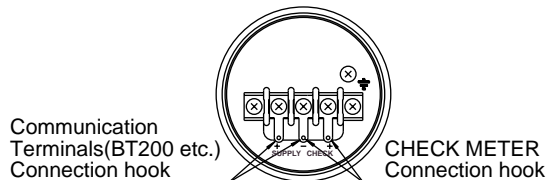


● EJA440A



\*1: Indicates dimensions for Capsule code C. 154 mm(6.06 inch) for Capsule code D.  
 \*2: Not available for Fieldbus communication(Output signal code F).

● Terminal Configuration



● Terminal Wiring

SUPPLY + -	Power supply and output terminal
CHECK + -	External indicator(ammeter) terminal
⏏	Ground terminal