

Please use this manual change for the manual listed below.

1. Applicable manual and page

IM01C25R02-01E (5th) Page 2-3, 3-6, 3-13

2. Contents of Change

(1) Please change the Table 2.2 HART Protocol Revision and DTM. (Page 2-3)

HART Protocol Revision	DTM		EJX multivariable transmitters		
	Name	Revision	Model Name	Device Type	Device Revision
5	EJX910 V2.1	1.4.160.26*1 or later	EJX910A EJX930A	EJX910 (0x54)	2
7	EJX910 HART 7 DTM	3.2.1.112*2 or later	EJX910A EJX930A	EJX910_ HART 7 (0x3754)	10

*1: The DTM corresponding to this revision is included in Yokogawa DTM Library HART 2011-2/Device Files R3.02.01

*2: The DTM corresponding to this revision is included in Yokogawa Device DTM Library 1.1/Device Files R3.02.01

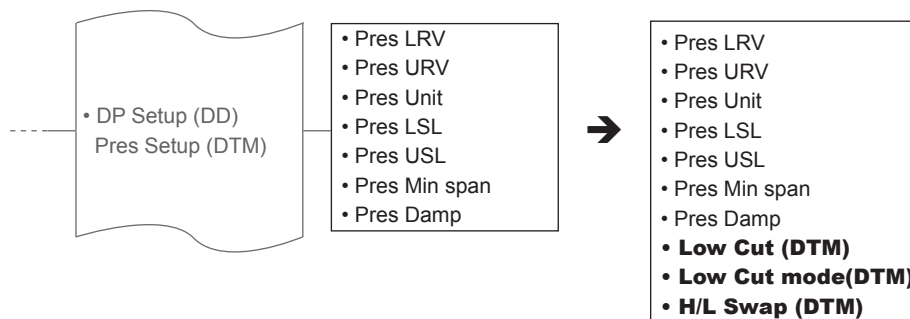


HART Protocol Revision	DTM		EJX multivariable transmitters		
	Name	Revision	Model Name	Device Type	Device Revision
5	EJX910 V2.1	1.4.160.27*1 or later	EJX910A EJX930A	EJX910 (0x54)	2
7	EJX910 HART 7 DTM	3.3.0.112*2 or later	EJX910A EJX930A	EJX910_ EXP (0x3754)	10

*1: The DTM corresponding to this revision is included in Yokogawa DTM Library HART 2011-3/Device Files R3.03.00

*2: The DTM corresponding to this revision is included in Yokogawa Device DTM Library 2.0/Device Files R3.03.00

(2) Please add three (3) parameters in the menu tree. (Page 3-6)



(3) Please change the limitation of 'Date' in the table. (Page 3-13)

Item	Limitations
Tag	Up to 8 characters or numbers*1
Long tag (HART 7 only)	Up to 32 characters or numbers*2
Descriptor	Up to 16 characters or numbers*1
Message	Up to 32 characters or numbers*1
Date	mm/dd/yyyy (DD and DTM (HART 5)) yyyy/mm/dd (DTM (HART 7)) - mm: month (2 digits) - dd: days (2 digits) - yyyy: years (4 digits)



Item	Limitations
Tag	Up to 8 characters or numbers*1
Long tag (HART 7 only)	Up to 32 characters or numbers*2
Descriptor	Up to 16 characters or numbers*1
Message	Up to 32 characters or numbers*1
Date	mm/dd/yyyy - mm: month (2 digits) - dd: days (2 digits) - yyyy: years (4 digits)