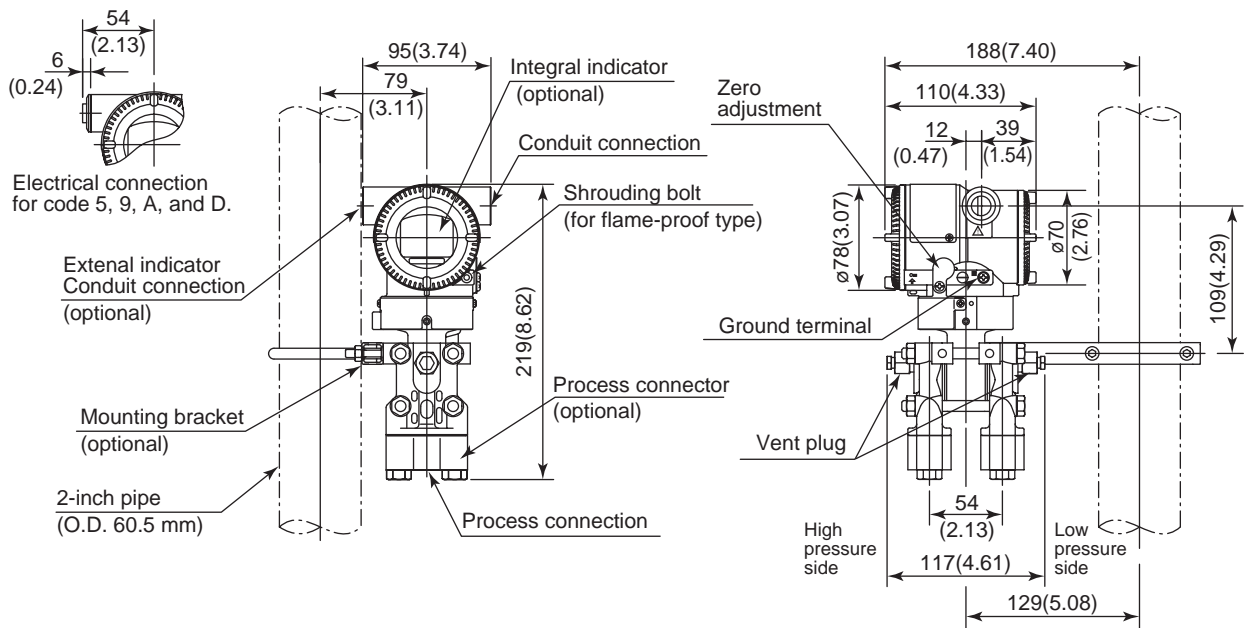
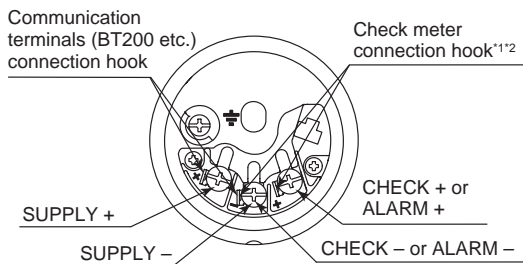


Unit: mm(approx. inch)

● Bottom Process Connection (Installation code B)



● Terminal Configuration



● Terminal Wiring

SUPPLY	+	Power supply and output terminal
CHECK	+	External indicator (ammeter) terminal ^{1,2}
or	-	
ALARM	+	Status contact output terminal ² (when /AL is specified)
	-	
	⏏	Ground terminal

*1: When using an external indicator or check meter, the internal resistance must be 10 Ω or less. A check meter or indicator cannot be connected when /AL option is specified.

*2: Not available for fieldbus communication type.