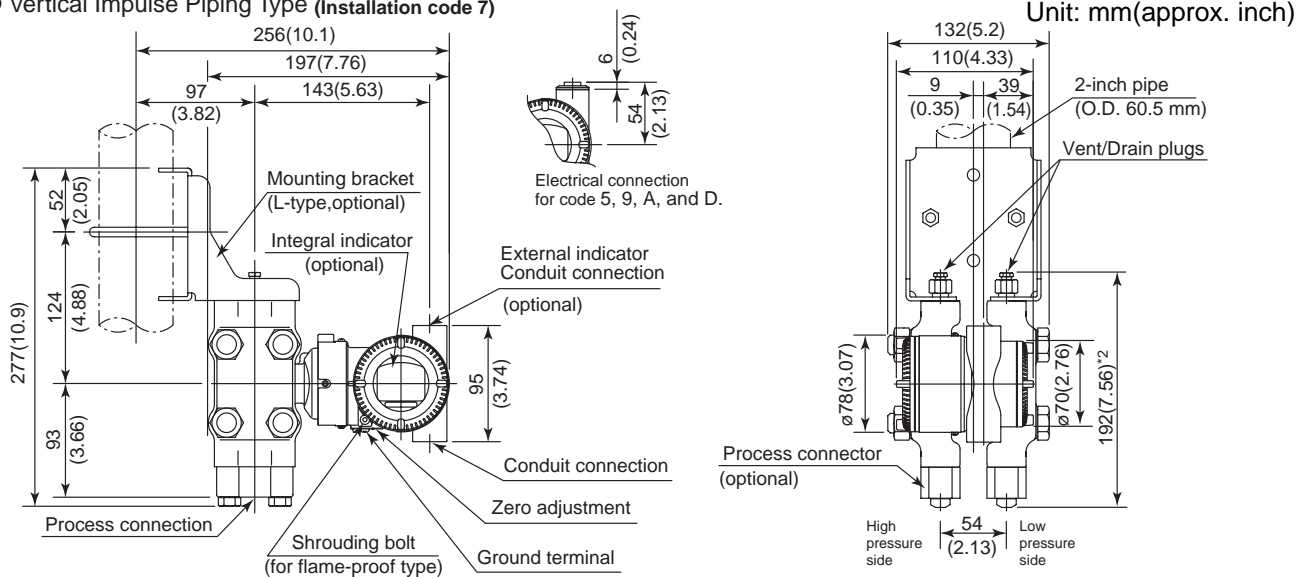
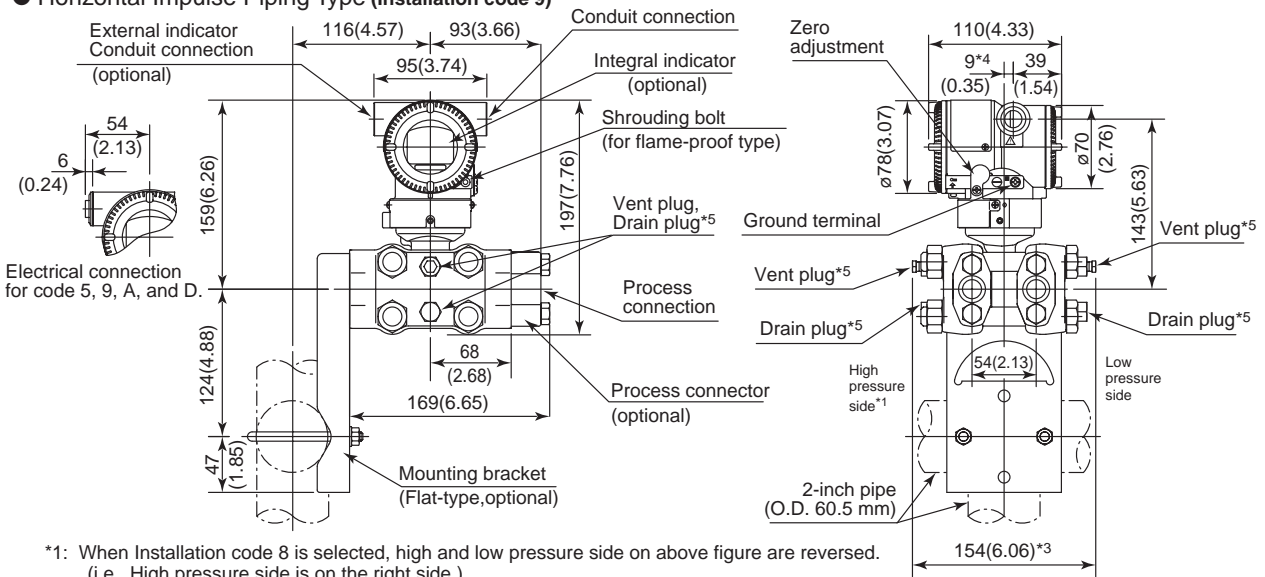


● Vertical Impulse Piping Type (Installation code 7)

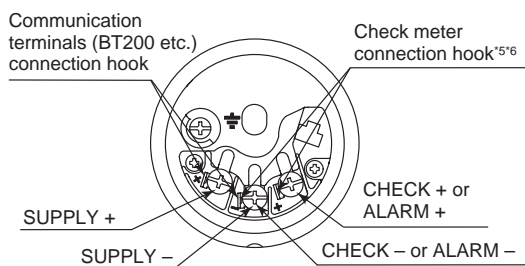


● Horizontal Impulse Piping Type (Installation code 9)



- *1: When Installation code 8 is selected, high and low pressure side on above figure are reversed. (i.e. High pressure side is on the right side.)
- *2: When Option code K1, K2, K5, or K6 is selected, add 15 mm(0.59 inch) to the value in the figure.
- *3: When Option code K1, K2, K5, or K6 is selected, add 30 mm(1.18 inch) to the value in the figure.
- *4: 15 mm(0.59 inch) for right side high pressure.
- *5: Not available when Option code GS is specified.

● Terminal Configuration



● Terminal Wiring

SUPPLY +	+	Power supply and output terminal
SUPPLY -	-	
CHECK + or ALARM +	+	External indicator (ammeter) terminal*5*6
CHECK - or ALARM -	-	or Status contact output terminal*6 (when /AL is specified)
Ground	⏏	Ground terminal

- *5: When using an external indicator or check meter, the internal resistance must be 10 Ω or less. A check meter or indicator cannot be connected when /AL option is specified.
- *6: Not available for fieldbus communication type.