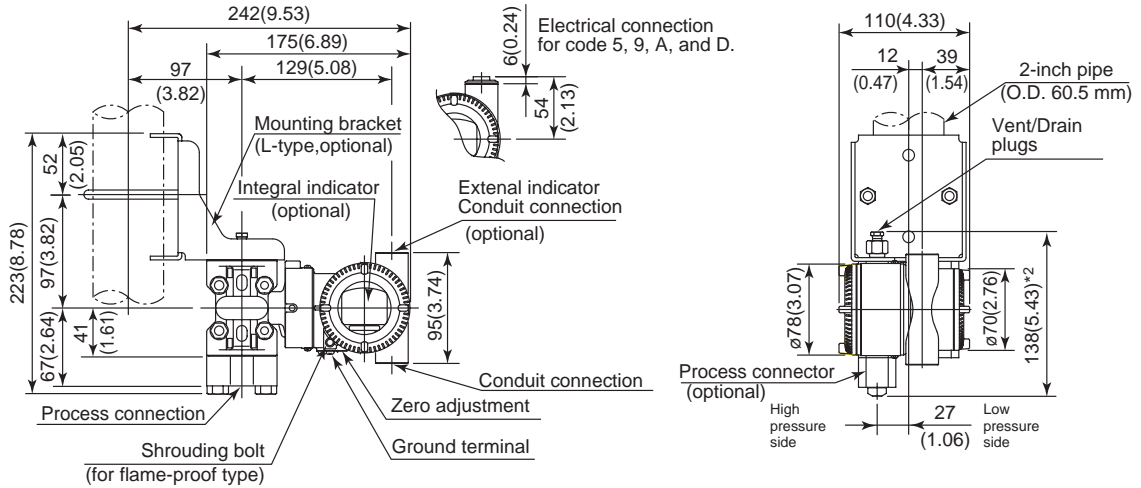
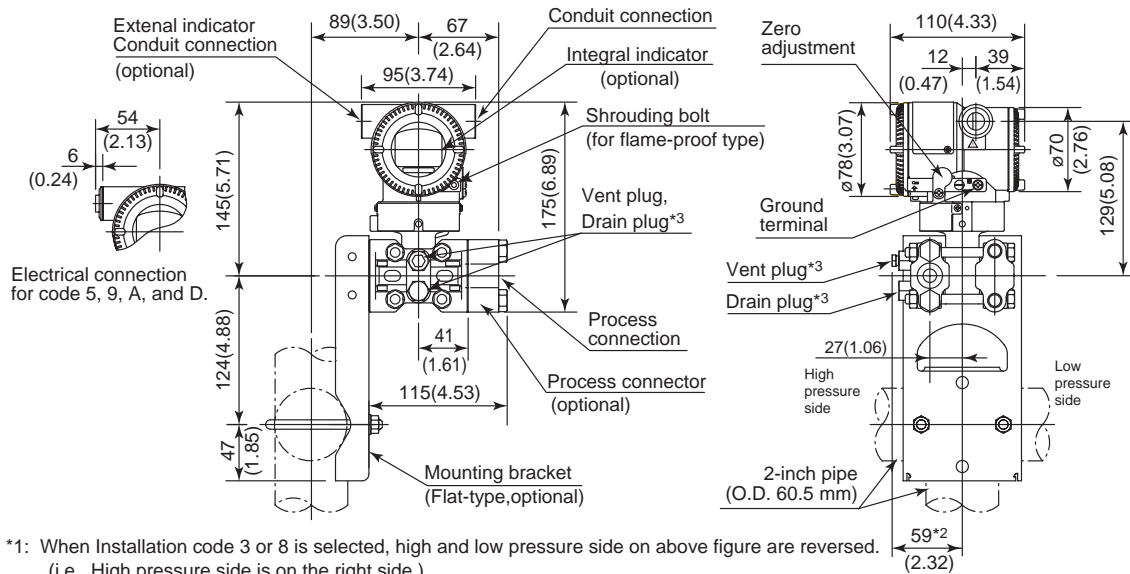


Unit: mm(approx. inch)

● Vertical Impulse Piping Type (Installation code 7)

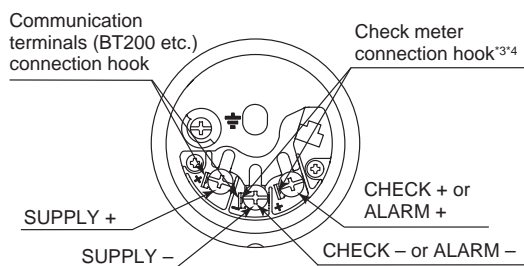


● Horizontal Impulse Piping Type (Installation code 9)



- \*1: When Installation code 3 or 8 is selected, high and low pressure side on above figure are reversed. (i.e. High pressure side is on the right side.)
- \*2: When Option code K1, K2, K5, or K6 is selected, add 15 mm(0.59 inch) to the value in the figure.
- \*3: Not available when Option code GS is specified.

● Terminal Configuration



● Terminal Wiring

SUPPLY +	+	Power supply and output terminal
SUPPLY -	-	
CHECK +	+	External indicator (ammeter) terminal <sup>3/4</sup>
or		or
ALARM +	+	Status contact output terminal <sup>4</sup>
	-	(when /AL is specified)
	⏏	Ground terminal

\*3: When using an external indicator or check meter, the internal resistance must be 10 Ω or less. A check meter or indicator cannot be connected when /AL option is specified.

\*4: Not available for fieldbus communication type.