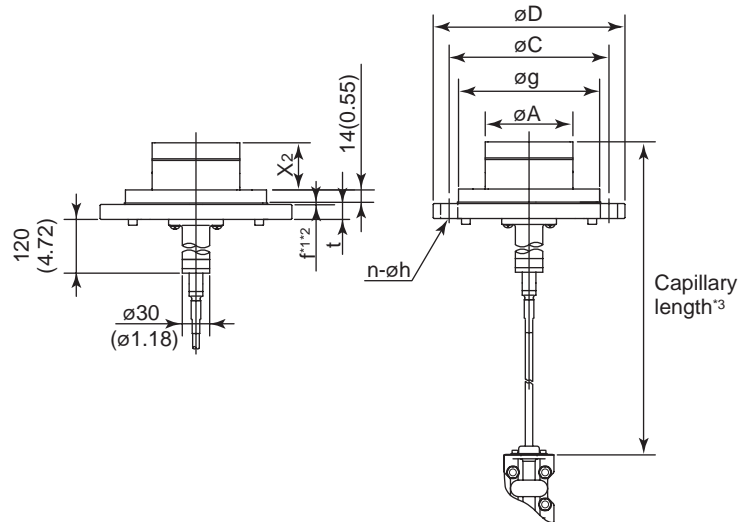


Unit: mm(approx. inch)



*1: In case where process flange material is JIS S25C, value of f is 0.

*2: In case where process flange material is JIS SUS304 in ANSI/JPI flange, value of f is included in t.

*3: The specified capillary length includes the extension length (X_2) and the flange thickness (t).

Process flange size: 4-inch (100mm)

Flange Rating	ϕD	ϕC	ϕg	ϕA	t	f	Bolt holes	
							No.(n)	Dia.(ϕh)
JIS 10K	210(8.27)	175(6.89)	155(6.10)	$96 \pm 0.5(3.78)$	18(0.71)	0	8	19(0.75)
JIS 20K	225(8.86)	185(7.28)	155(6.10)	$96 \pm 0.5(3.78)$	24(0.94)	0	8	23(0.91)
ANSI Class 150	228.6(9.00)	190.5(7.50)	155(6.10)	$96 \pm 0.5(3.78)$	23.9(0.94)	1.6(0.06)	8	19.1(0.75)
ANSI Class 300	254(10.00)	200.2(7.88)	155(6.10)	$96 \pm 0.5(3.78)$	31.8(1.25)	1.6(0.06)	8	22.4(0.88)
JPI Class 150	229(9.02)	190.5(7.50)	155(6.10)	$96 \pm 0.5(3.78)$	24(0.94)	1.6(0.06)	8	19(0.75)
JPI Class 300	254(10.00)	200.2(7.88)	155(6.10)	$96 \pm 0.5(3.78)$	32(1.26)	1.6(0.06)	8	22(0.87)
DIN PN 10/16	220(8.66)	180(7.09)	155(6.10)	$96 \pm 0.5(3.78)$	20(0.79)	0	8	18(0.71)
DIN PN 25/40	235(9.25)	190(7.48)	155(6.10)	$96 \pm 0.5(3.78)$	24(0.94)	0	8	22(0.87)

Process flange size: 3-inch (80mm)

Flange Rating	ϕD	ϕC	ϕg	ϕA	t	f	Bolt holes	
							No.(n)	Dia.(ϕh)
JIS 10K	185(7.28)	150(5.91)	130(5.12)	$71 \pm 0.5(2.80)$	18(0.71)	0	8	19(0.75)
JIS 20K	200(7.87)	160(6.30)	130(5.12)	$71 \pm 0.5(2.80)$	22(0.87)	0	8	23(0.91)
ANSI Class 150	190.5(7.50)	152.4(6.00)	130(5.12)	$71 \pm 0.5(2.80)$	23.9(0.94)	1.6(0.06)	4	19.1(0.75)
ANSI Class 300	209.6(8.25)	168.1(6.62)	130(5.12)	$71 \pm 0.5(2.80)$	28.5(1.12)	1.6(0.06)	8	22.4(0.88)
JPI Class 150	190(7.48)	152.4(6.00)	130(5.12)	$71 \pm 0.5(2.80)$	24(0.94)	1.6(0.06)	4	19(0.75)
JPI Class 300	210(8.27)	168.1(6.62)	130(5.12)	$71 \pm 0.5(2.80)$	28.5(1.12)	1.6(0.06)	8	22(0.87)
DIN PN 10/16	200(7.87)	160(6.30)	130(5.12)	$71 \pm 0.5(2.80)$	20(0.79)	0	8	18(0.71)
DIN PN 25/40	200(7.87)	160(6.30)	130(5.12)	$71 \pm 0.5(2.80)$	24(0.94)	0	8	18(0.71)

● Extension length (X_2)

Extension code	X_2
2	50(1.97)
4	100(3.94)
6	150(5.91)