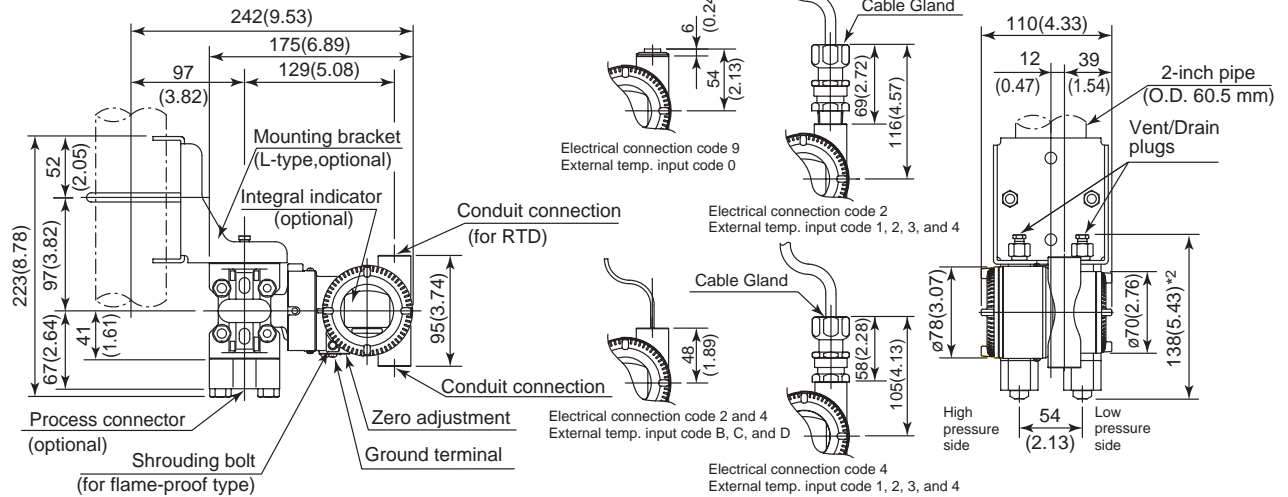
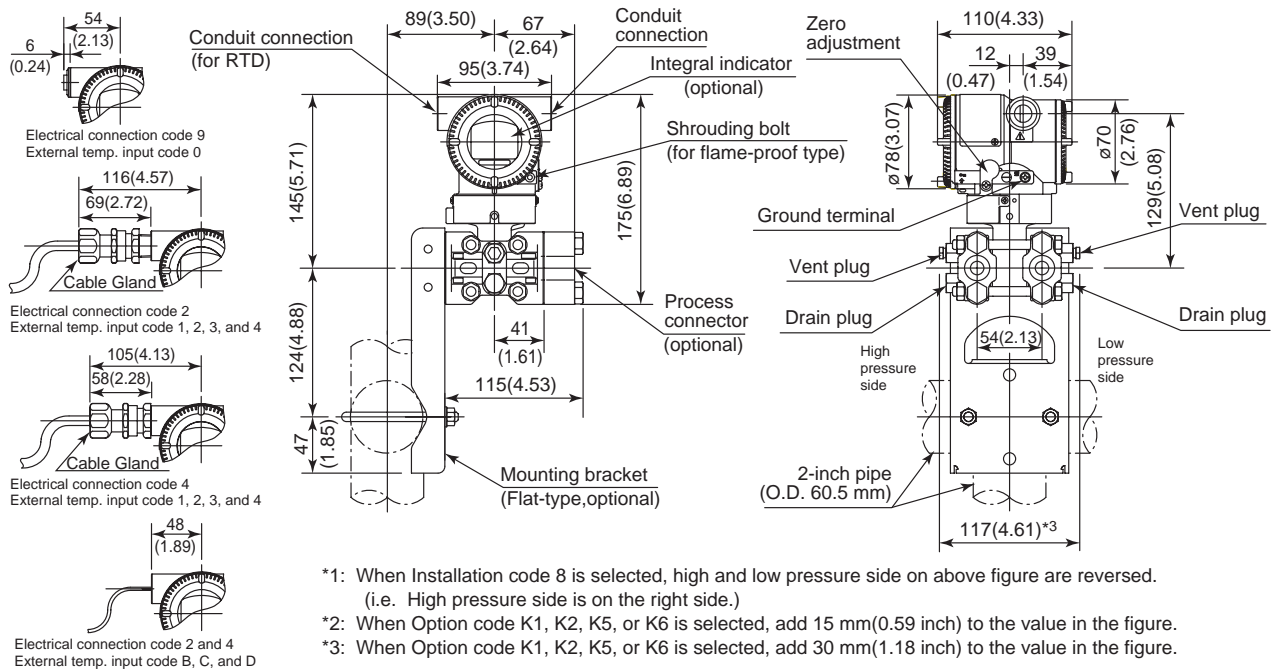


Unit: mm(approx. inch)

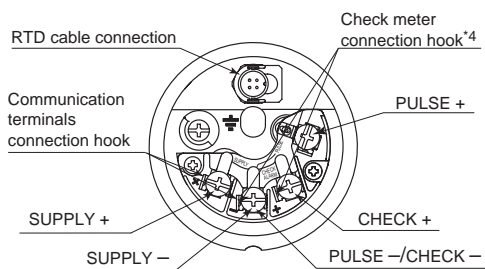
● Vertical Impulse Piping Type (Installation code 7)



● Horizontal Impulse Piping Type (Installation code 9)



● Terminal Configuration



● Terminal Wiring

SUPPLY +	Power supply and output terminal
CHECK +	External indicator(ammeter) terminal*4
PULSE +	Pulse or status contact output terminal
⏏	Ground terminal

\*4: When using an external indicator or check meter, the internal resistance must be 10 Ω or less.