

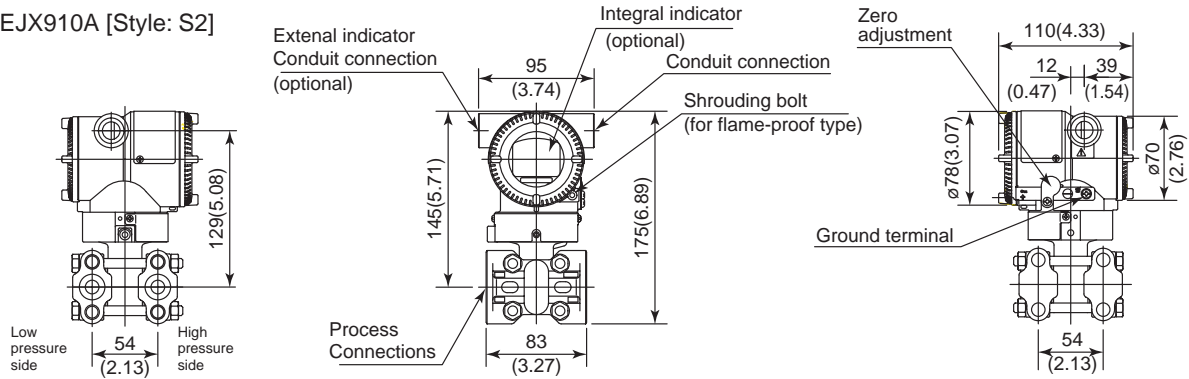
# Drawings

## EJX910A and EJX930A with Option Code /N1

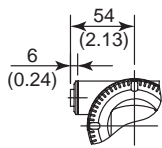
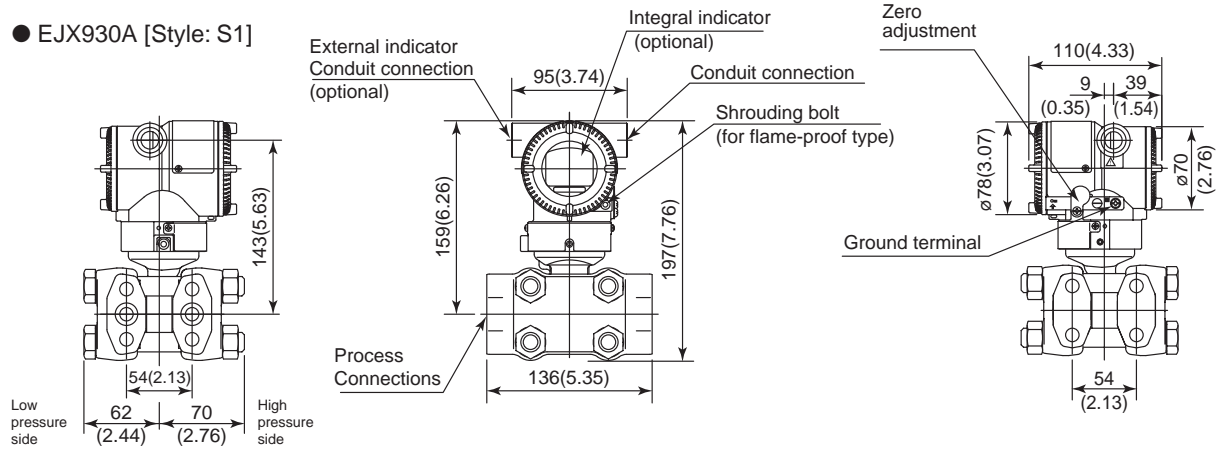
DP **harp** EJX™

Unit: mm(approx. inch)

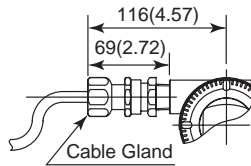
### ● EJX910A [Style: S2]



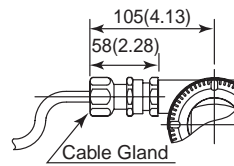
### ● EJX930A [Style: S1]



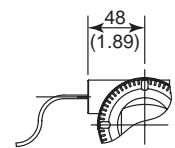
Electrical connection code 9  
External temp. input code 0



Electrical connection code 2  
External temp. input code 1, 2, 3, and 4

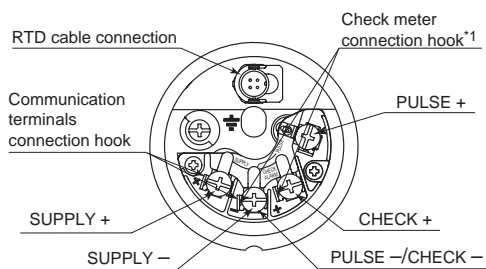


Electrical connection code 4  
External temp. input code 1, 2, 3, and 4



Electrical connection code 2 and 4  
External temp. input code B, C, and D

### ● Terminal Configuration



### ● Terminal Wiring

SUPPLY +	—	Power supply and output terminal
CHECK +	—	External indicator(ammeter) terminal*1
PULSE +	—	Pulse or status contact output terminal
	⏏	Ground terminal

\*1: When using an external indicator or check meter, the internal resistance must be 10 Ω or less.