

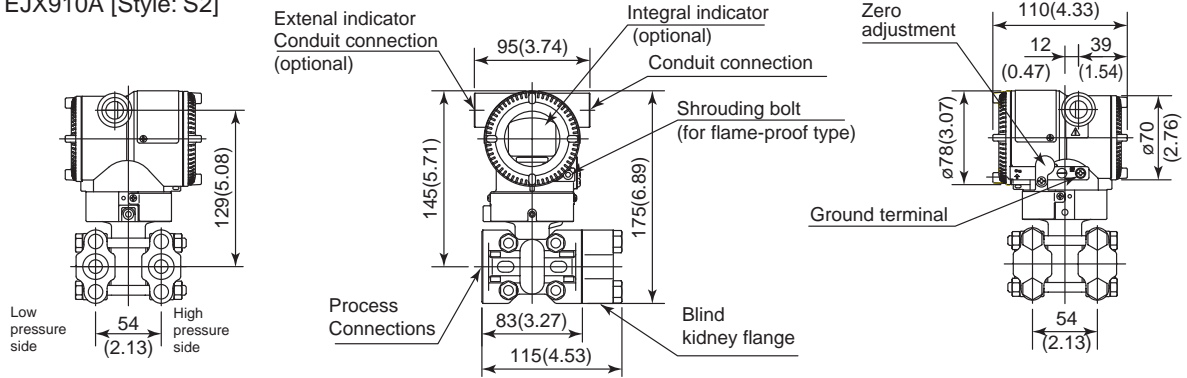
Drawings

EJX910A and EJX930A with Option Code /N2 and /N3

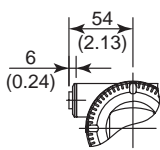
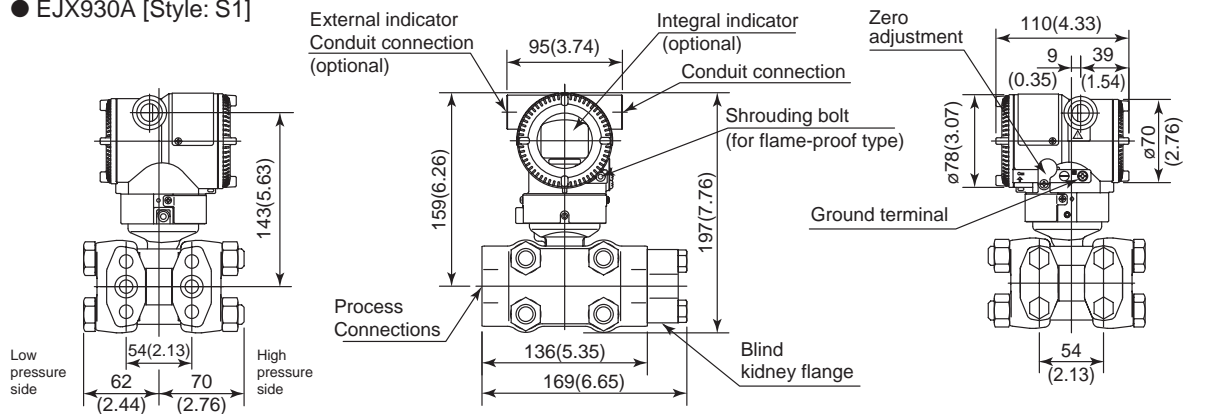
DP **harp** **EJX**™

Unit: mm(approx. inch)

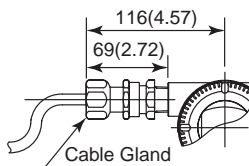
● EJX910A [Style: S2]



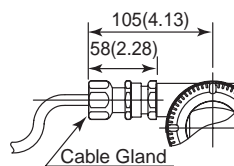
● EJX930A [Style: S1]



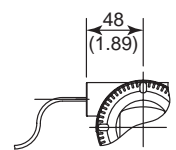
Electrical connection code 9
External temp. input code 0



Electrical connection code 2
External temp. input code 1, 2, 3, and 4

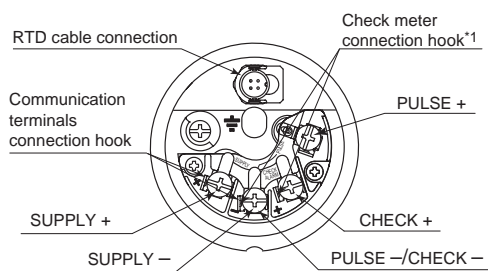


Electrical connection code 4
External temp. input code 1, 2, 3, and 4



Electrical connection code 2 and 4
External temp. input code B, C, and D

● Terminal Configuration



● Terminal Wiring

SUPPLY + -	Power supply and output terminal
CHECK + -	External indicator(ammeter) terminal*1
PULSE + -	Pulse or status contact output terminal
⏏	Ground terminal

*1: When using an external indicator or check meter, the internal resistance must be 10 Ω or less.