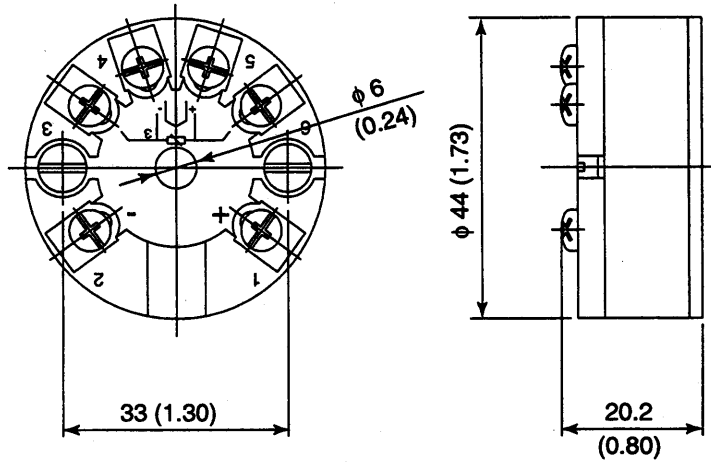
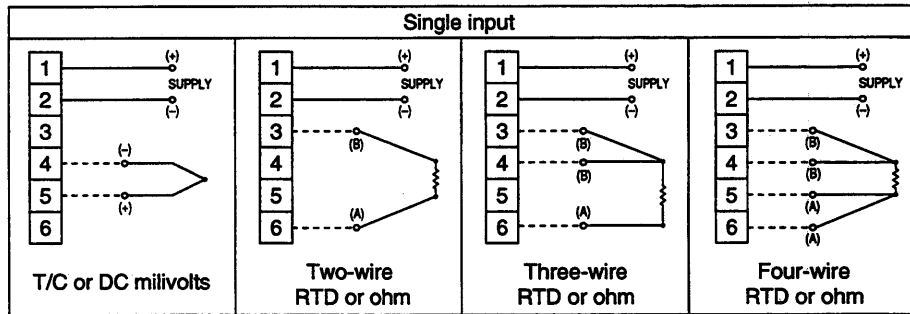


Unit : mm (approx. inch)



● Sensor Connections



● Weight
50 g (0.11 lbs.)