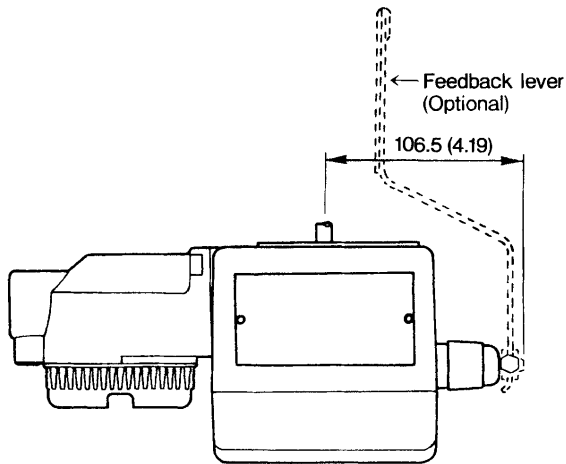
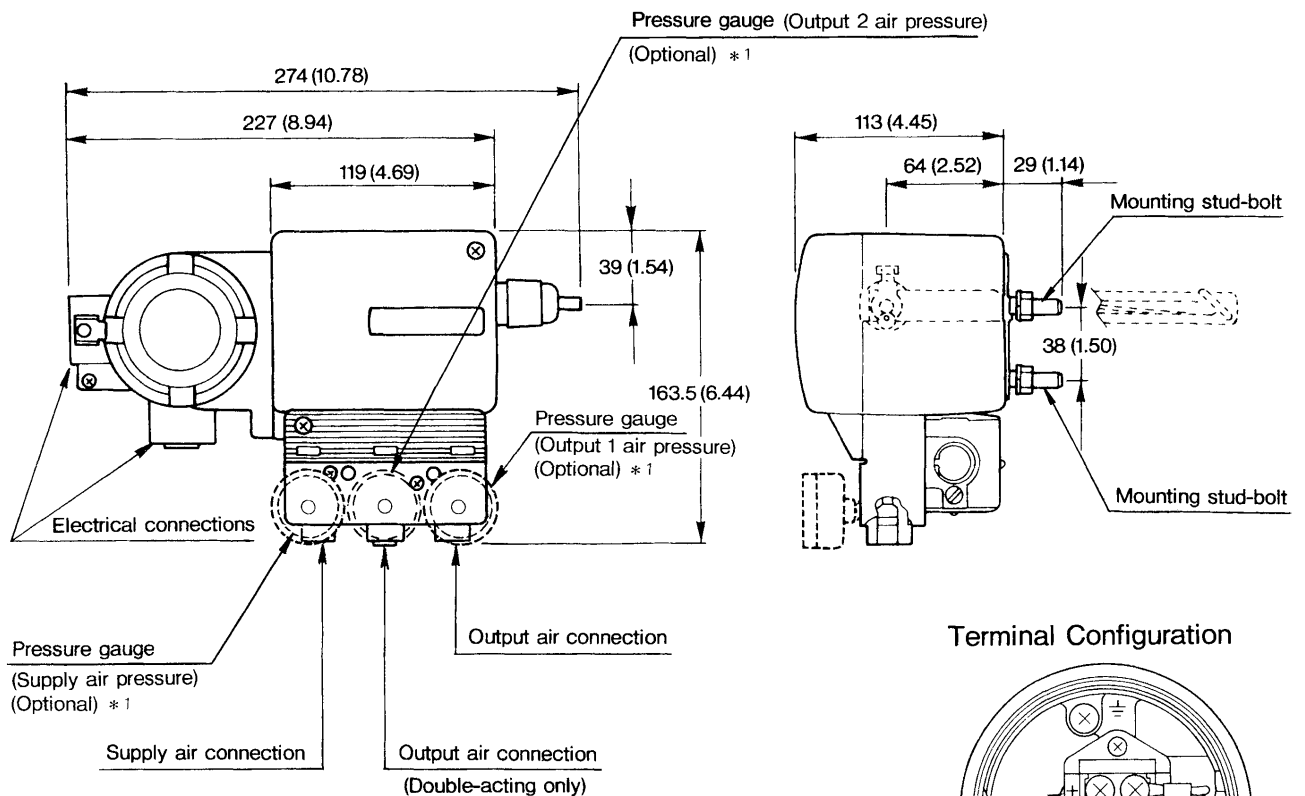


Unit: mm
(Approx. inch)



*1. When "with pressure gauge" is selected in additional features, attached pressure gauges are shown in table 1.

Suffix code of Actuator type	Supply pressure gauge	Output 1 pressure gauge	Output 2 pressure gauge
L, M	○	○	
N	○	○	○
P, Q	○		○



Terminal Configuration

