

# General Specification

## F3LE12-0T Ethernet Interface Module

FA-M3

GS 34M6H24-04E

### General

The Ethernet Interface module is to be installed in an I/O slot of the FA-M3 Range-free Multi-controller. It can be connected to an IEEE802.3-compliant network (100BASE-TX or 10BASE-T). When connected to a network, it can exchange data with any node (PC, workstation, etc.) on the network using the TCP/IP or UDP/IP protocol.

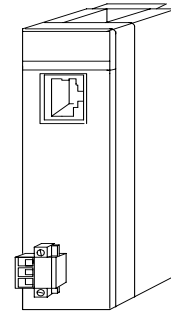
### Features

- Messaging (UDP/IP)  
Enables exchange of messages with other nodes using UDP/IP via sockets. Up to 1024 bytes of data can be transmitted per socket.
- Remote programming  
Enables a user to create and maintain programs from a computer connected to the network using FA-M3 Programming Tool WideField2.
- Higher-level link service (accessing from another node)  
Enables a user to monitor the devices of a sequence CPU from another node connected to the same network, as well as upload, download, start, or stop a program remotely, without the need to write a ladder program for this purpose.
- 100 Mbps  
The module supports 100BASE-TX for fast transmission over a network. Through auto-negotiation, it automatically switches between 10 Mbps and 100 Mbps.

### Specifications

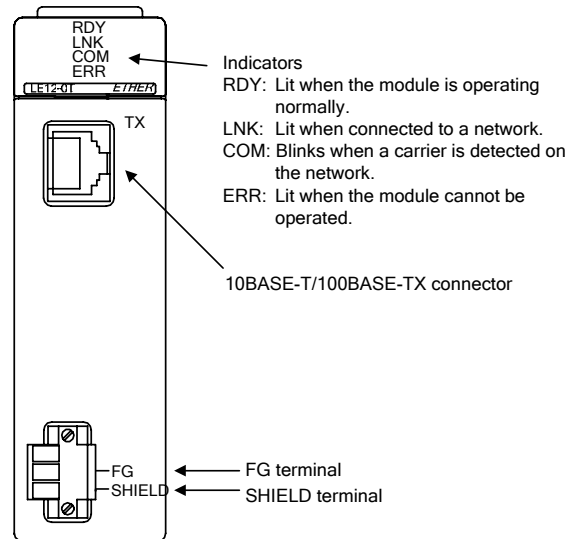
Item	Specifications	
Transmission	Access control	CSMA/CD
	Transmission speed	10/100Mbps
	Transmission method	Baseband
	Maximum segment length	100 m <sup>*1</sup>
	Maximum number of nodes	2 per segment
Protocol	TCP/IP, UDP/IP, ICMP, ARP	
Write protection	Enabled or disabled (for higher-level link service only)	
Number of installed modules	Total number of modules with similar functions: 2 max. for F3SP05 or F3SP21; 6 max. for F3SP28, F3SP38, F3SP53, F3SP58, or F3SP59	
Current consumption	500 mA max.	
External dimensions	28.9 (W) x 100 (H) x 83.2 (D) mm <sup>*2</sup>	
Weight	130 g	

\*1: Maximum distance between the module and a hub.  
\*2: Excluding protrusions (see External Dimensions for details).

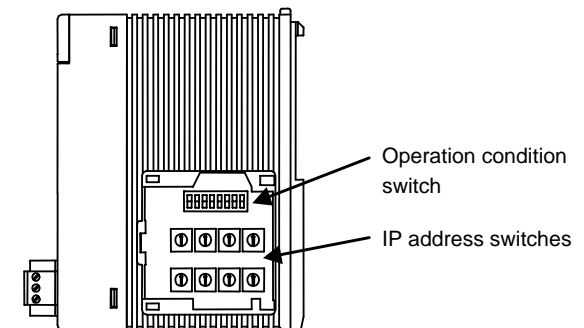


### Components and Functions

#### Front view



#### Right side view



Note: This is a right view with the cover removed.

---

## Operating Environment

This module is compatible with all CPU modules types.

## Model and Suffix Codes

Model	Suffix Code	Style Code	Option Code	Description
F3LE12	-0T	.....	.....	10/100 Mbps 10BASE-T/100BASE-TX with messaging function

## External Dimensions

