

# General Specifications

## F3LA01-0N ASi Master Module

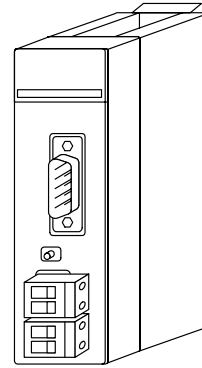
FA-M3

GS 34M6H33-01E

### General

The F3LA01-0N module is an AS-interface (ASi) master module to be installed in an I/O slot of the FA-M3R range-free controller.

The ASi master module is compliant with AS-interface V2.1, and is capable of controlling up to 62 ASi slaves. The AS-interface is an open, reduced-wiring system compliant with the EN50295 standard designed to provide reduced wiring to proximity sensors, optical sensors, limit switches, indicators, and other bit-operated devices.

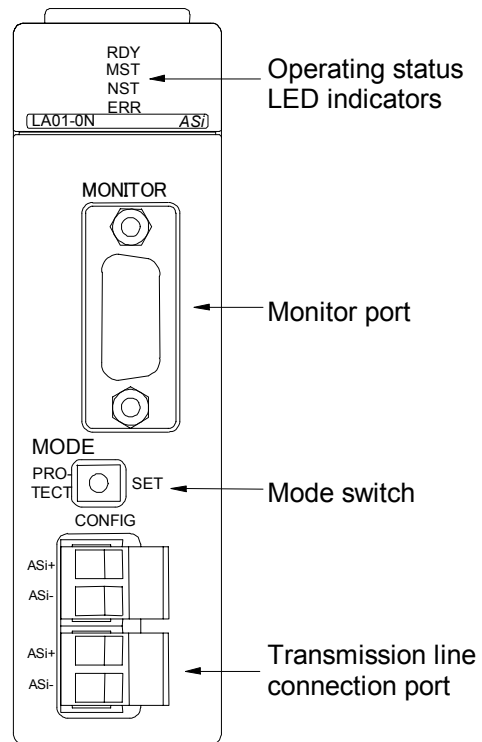


### Features

- The ASi Master module is compliant to ASi V2.1, and is capable of controlling a maximum of 62 slaves. It also supports slaves with analog data, such as temperature monitoring or other analog devices.
- The ASi Master module connects to slaves using an ASi flat cable. Connection and disconnection of a slave is extremely easy, without any need for even cable cutting and stripping.
- The flat cable terminals of the ASi Master module are enclosed so the module operates reliably even in under atmospheric conditions.

### Components and Functions

Front view



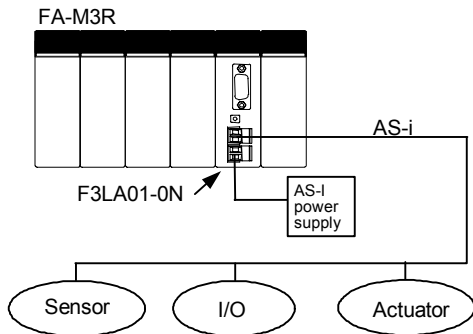
### Specifications

Item	Specifications	
Communications specifications	Transmission protocol	AS-interface V2.1 compliant
	Number of nodes	1 ASi master 62 (for V2.1) or 31 (for V2.0) ASi slaves max. 1 ASi power supply
	Number of I/O points	248 input and 186 output (total 434) points max. for V2.1 124 input and 124 output (total 248) points max. for V2.0
	Transmission path topology	Multidrop
	Transmission rate	167K bps
	Transmission distance	Total 100 m max.
	Operating temperature	0 to 45°C
Current consumption	330 mA within the module 200 mA on the ASi line	
External dimensions	28.9 (W) x 100 (H) x 83.2 (D)*	
Weight	170 g	

\* Excluding protrusions (for details, see the External Dimensions diagram).

## External Connection

Connection example



Use an EN50295-compliant AS-interface cable to connect the ASi Master module and its slave devices. For details on the AS-interface, contact:

AS-International Association  
 URL: <http://www.as-interface.net/>

## Operating Environment

There is no restriction on the type of CPU modules that can be used with this module.

## Model and Suffix Codes

Model	Suffix Code	Style Code	Option Code	Description
F3LA01	-0N	....	....	V2.1 compliant

## External Dimensions

