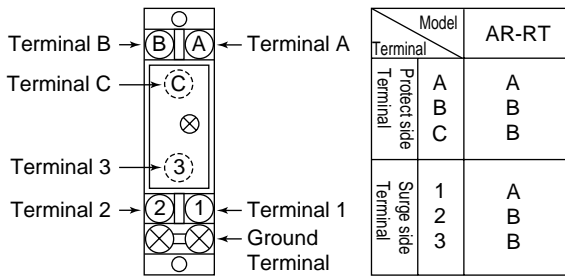
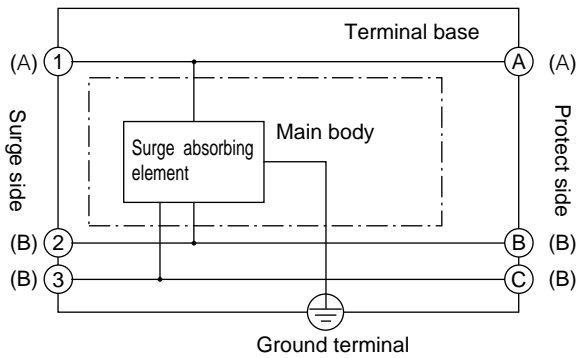


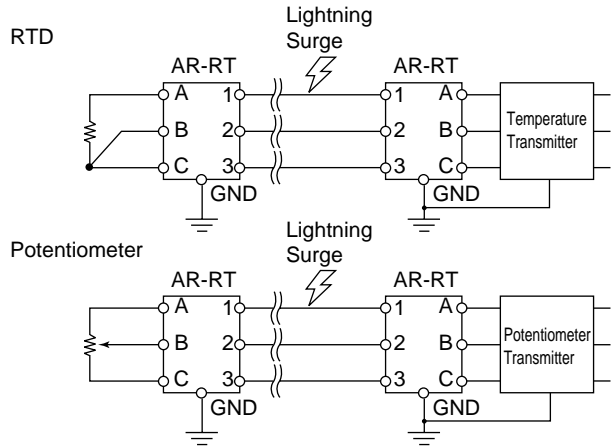
Terminal Arrangement & Terminal Connection



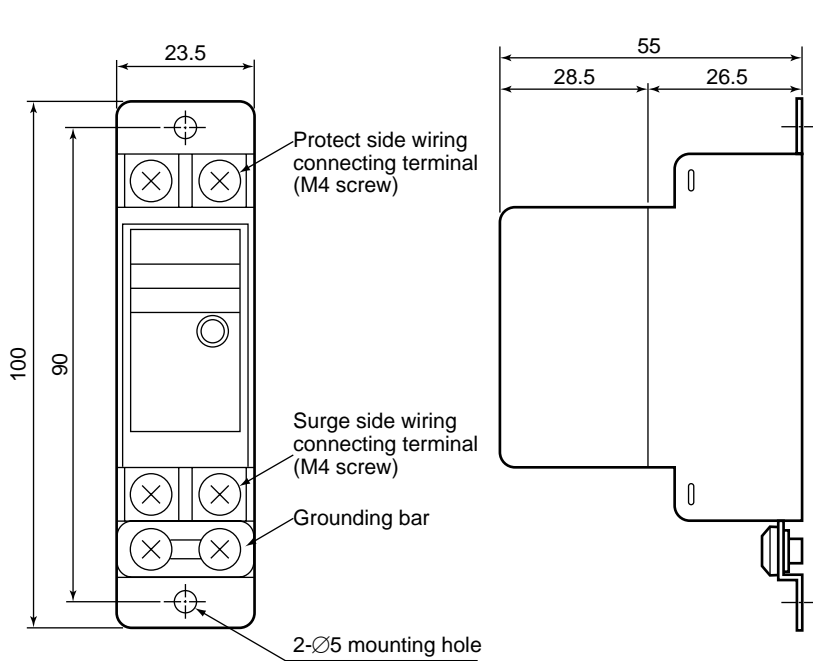
Block Diagram



WIRING



External Dimension



Unit: mm