

General Specifications

Terminal Blocks (for ProSafe-RS)



GS 32S06L30-21E

■ GENERAL

This GS describes the hardware specifications of the terminal blocks used for the I/O module.

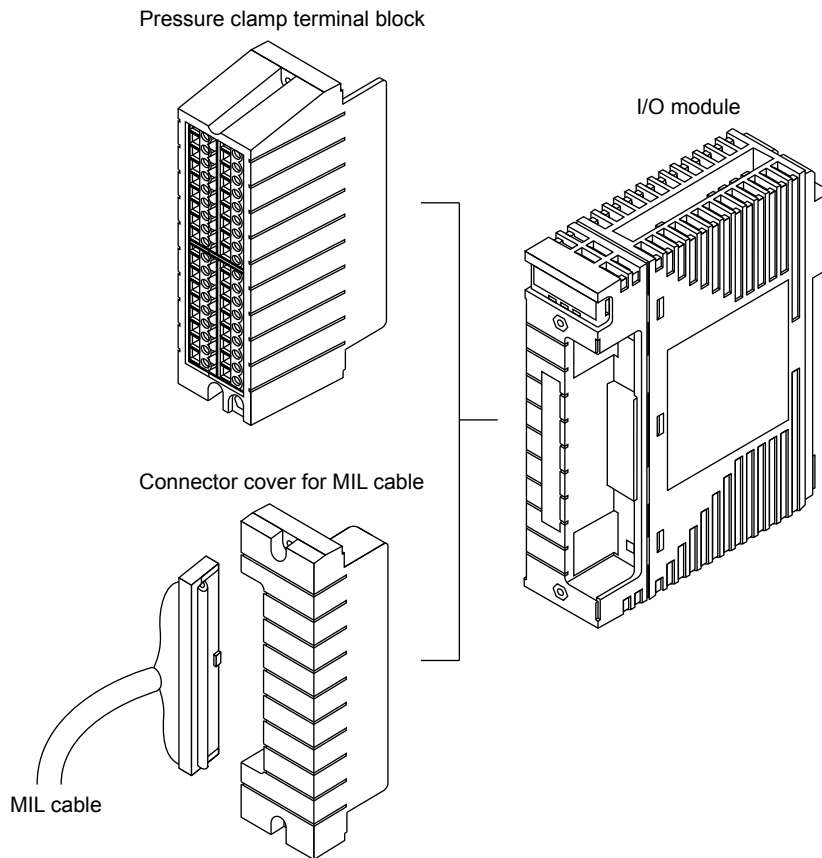
■ STANDARD SPECIFICATIONS

● Variation of signal connection

The I/O module is connected to field equipment, with a terminal block installed.

There are two terminal blocks: a pressure clamp terminal and MIL connector cover.

There are some types of pressure clamp terminal which have a built-in surge absorber that protects the I/O module from surges. These are compatible with EMC standard EN 61000-6-2.



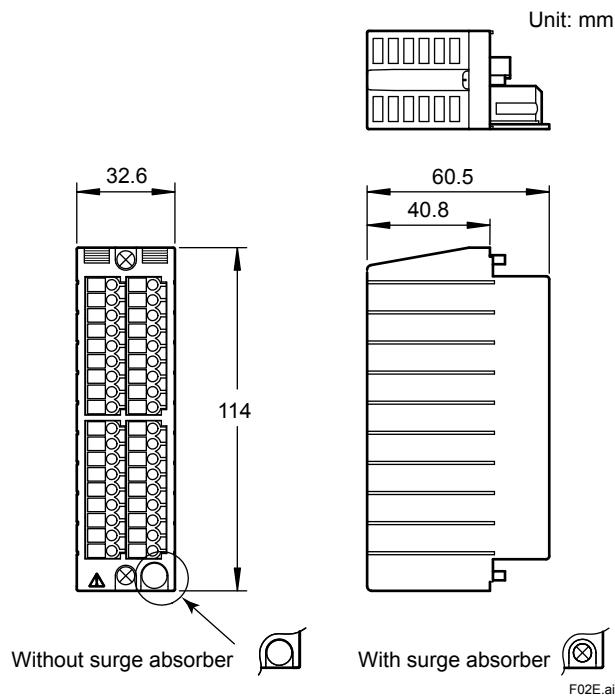
F01E.ai

● Terminal blocks

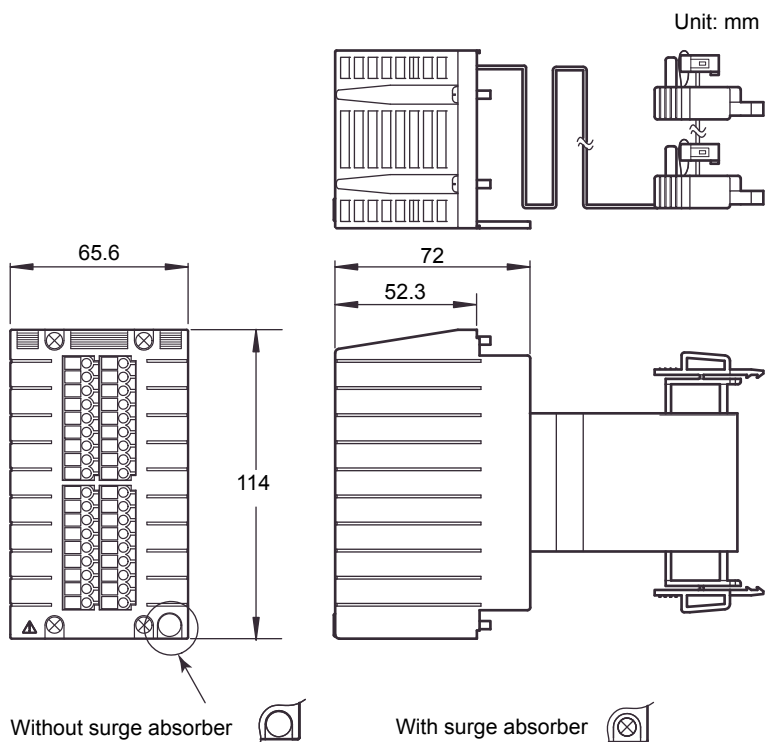
Model	Application	Number of connection points	Connection module	Connection cable	Weight	Specifications
–	Pressure clamp terminal					
STA4S	For analog signals (single configuration)	16-channel	SAI143 SAV144 SAI533	–	0.2 kg	Select “with surge absorber” or “without surge absorber.”
STA4D	For analog signals (dual-redundant configuration)				0.3 kg	
STB4S	For digital I/O (single configuration)	16- or 8-channel	SDV144 SDV531 SDV541	–	0.2 kg	
STB4D	For digital I/O (dual-redundant configuration)				0.4 kg	

■ EXTERNAL DIMENSIONS

● STA4S, STB4S



● STA4D, STB4D



F03E.ai

■ MODEL AND SUFFIX CODES

Pressure clamp terminal block

		Description
Model	STA4S	Pressure Clamp Terminal Block for Analog Signals (16-channel with ISA Standard G3)
	STB4S	Pressure Clamp Terminal Block for Digital I/O (16- or 8-channel with ISA Standard G3)
Suffix Codes	-0	Without surge absorber
	-1	With surge absorber
	0	Always 0

Dual-redundant pressure clamp terminal block

		Description
Model	STA4D	Pressure Clamp Terminal Block for Analog Signals, Dual-Redundant Use (16-channel, with ISA Standard G3)
	STB4D	Pressure Clamp Terminal Block for Digital Signals, Dual-Redundant Use (16- or 8-channel, with ISA Standard G3)
Suffix Codes	-0	Without surge absorber
	-1	With surge absorber
	0	Always 0

■ APPLICABLE STANDARDS

Refer to the GS “ProSafe-RS Safety Instrumented System Overview.”

■ ORDERING INFORMATION

Specify the model and suffix codes.

■ TRADEMARKS

- ProSafe is a registered trademark of Yokogawa Electric Corporation.
- Other company and product names appearing in this document are trademarks or registered trademarks of their respective holders.