

General Specifications

GS 33K20C60-50E

Model LBC1591
EtherNet/IP Communication
Package (for UGS)



[Release 5]

■ GENERAL

This package provides the Unified Gateway Station (UGS) with a function to communicate with EtherNet/IP protocol subsystem controllers.

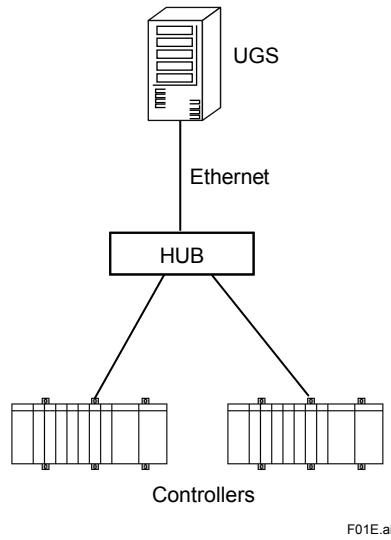
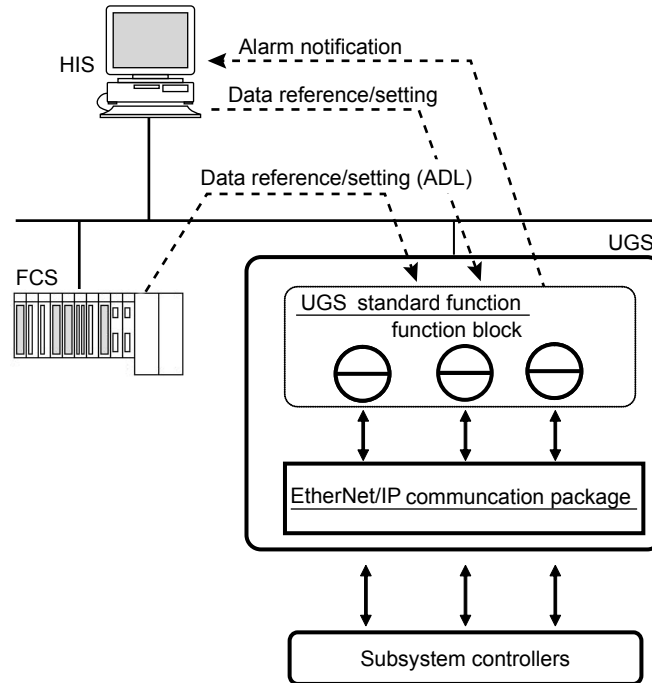


Figure System configuration example

■ FUNCTIONAL SPECIFICATIONS

● Communication with subsystem controllers

Subsystem controller data is assigned to the UGS function blocks via EtherNet/IP communication and referred to or set from HIS and FCS. The connection status among the UGS and controllers can also be monitored.



F02E.ai

Figure Communication with subsystem controllers

● Application capacity

Number of controllers: Max. 256

Number of data items that can be defined:

Max. 2,000,000 data (for a single UGS configuration) (*1)

Max. 1,000,000 data (for a dual-redundant UGS configuration) (*1) (*2)

Number of data items for communication with controllers:

Max. 750,000 data (*1) (*2) (*3)

(The sum of the data items of subsystem controllers)

Data update period: 100 ms to 1 hour.

Data acquisition: Max. 6,400 data sec (*1) (*2) (Number of data acquired from subsystem controllers)

Data setting: Max. 640 data sec (*1) (*2) (Number of data set on UGS from HIS and FCS)

Protocol: TCP/IP CIP EtherNet/IP

CIP Service:

0x65 RegisterSession

0x6F SendRRData (Forward_Open: 0x54)

0x70 SendUnitData (Data Table Read: 0x4C, Data Table Write: 0x4D)

Date type: BOOL, SINT, INT, DINT, REAL

*1: The number of data includes those from other UGS's communication packages

*2: It depends on the application conditions.

*3: The UGS accesses the controllers' data by assigning each of the controller's data into the data items in the UGS's function block(s). Among all the data items that can be defined, those which do not communicate with controllers can be used as a data buffer for the data which are set by other sources such as FCS. See below formula for a quick glance.

Number of data items that can be defined

= Number of data items for communication with controllers + Number of data items used as a data buffer

■ OPERATING ENVIRONMENT

● Hardware requirements

Complies with LBC1500 Unified Gateway Station Standard Function.

● Software requirements

LBC1500 Unified Gateway Station Standard Function

LBC1501 Dual-redundant Package (for UGS) (in dual-redundant configuration of UGS)

■ MODEL AND SUFFIX CODES

EtherNet/IP Communication Package (for UGS)

		Description
Model	LBC1591	EtherNet/IP Communication Package (for UGS) [Media model: LHSKM50-V11]
Suffix Codes	-V	Software License
	1	Always 1
	1	English version

Note: For the dual-redundant configuration of UGS, two sets of packages for UGS are required (i.e. two packages of Standard Function (LBC1500) and option packages (LBC1501, LBC1591) are required respectively).

■ ORDERING INFORMATION

Specify model and suffix codes.

■ TRADEMARKS

- CENTUM, Vnet/IP are registered trademarks of Yokogawa Electric Corporation.
- Windows is a registered trademark of Microsoft Corporation in the United States and/or other countries.
- Ethernet is a registered trademark of XEROX Corporation.
- EtherNet/IP is a trademark of the Open DeviceNet Vendor Association (ODVA).
- Other product and company names appearing in this document are trademarks or registered trademarks of their respective holders.