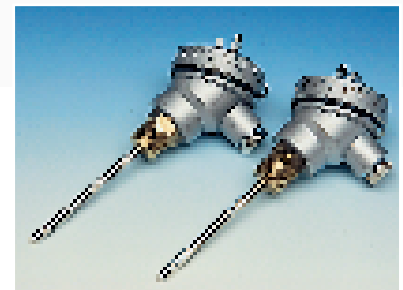


Heat Calculator

Model 212

Features

- Multilingual capability
- Heating, cooling and air conditioning
- Built-in density and enthalpy tables
- Meter-bus interface and RS485 communications
- Metric or US units
- 4-wire Pt100 RTD temperature inputs
- Fully programmable
- Calculates and displays **Volume, Energy, Temperatures and Peak Energy**
- Watertight to IP66 (Nema 4X)
- High accuracy



Overview

The 212 Heat Calculator is designed to measure the energy consumed in hot water heating systems and chilled water cooling systems.

The 212 will interface with a wide range of flowmeters, including vortex and magnetic flowmeters with pulse outputs, positive displacement and inferential water meters, turbine and paddle wheel flowmeters.

Provides flexibility to meet all applications

The 212 is able to cross international boundaries in heat meter applications.

Multilingual capability, data logging and peak/off-peak operation are standard. In addition, four modes of operation covering heating and cooling ensure that the 212 is flexible enough to meet all energy measurement applications.

The high accuracy of the 212 ensures that it meets European and International approvals for heat calculators.

Accuracy to OIML R75 Class 4 and EN1434

The 212 has in-built correction for the non-linearity of the RTDs. For chilled water measurement where the temperature difference (Δt) is likely to be small, provision is made in the set-up program to zero out any offset between RTDs.

The 212 is fully programmable and all set-up data and totals are stored in a non-volatile memory for a minimum of 10 years.

Heat Calculator

Model 212

Watertight wall or panel mount enclosure

The 212 Heat Calculator is housed in a rugged yet attractive IP66 (Nema 4X) rated polycarbonate enclosure which is completely watertight.

Mounting is either by a wall bracket or by panel mount.

Integration with energy management systems

A Meter-bus interface enables the 212 Heat Calculator to be incorporated into energy management systems complying with European IEC 870-5 protocol standards.

The 212 is also supplied with an RS485 bus, which uses industry standard Modbus RTU protocol, for interfacing to computers and DCS systems.

Datalogging flexibility

The 212 Heat Calculator will store energy totals by hour, day, week or month for up to 31 periods. The totals are stored for each period and can be downloaded to a computer via the Meter-bus or RS485 communications ports.

Peak and off-peak registers

If selected, the peak/off-peak feature will assign two separate registers which will totalize peak energy and off-peak energy.

The changeover times between peak and off-peak are fully programmable.

Modes of Operation

The 212 Heat Calculator is flexible enough to handle a wide range of applications. Four operating modes are available.

- **Heating Mode** where positive Δt 's only are totalized.
- **Cooling Mode** where negative Δt 's only are totalized.
- **Heating/Cooling Mode** where the flow of energy may be for heating or cooling. In this mode the energy total is increased regardless of whether Δt is positive or negative.
- **Charge/Discharge Mode** where two separate registers totalize positive and negative totals.

Calculates the density and enthalpy of water

The 212 Heat Meter measures the temperature in the feed and return lines and, from this, calculates the density and enthalpy of the water.

By also measuring the volume of water flowing in the system, the 212 will then compute the energy consumed.

Power is calculated as:

$$P = V \times \rho \times (h_{TV} - h_{TR})$$

where **P** = Power (W)

V = Volumetric flow rate (m³/s)

ρ = Density (kg/m³)

h_{TV} = Specific enthalpy (J/kg)
at Feed temperature

h_{TR} = Specific enthalpy(J/kg)
at Return temperature

The volume, energy, temperatures and peak energy are all calculated and can be displayed on the large LCD.

General

Display

Type:	7 digit LCD - 7 numeric digits and 11 alpha characters.
Digits:	15.5mm (0.6") high.
Characters:	6mm (0.24") high.
Display Units:	kWh, MWh, MJ, GJ, therm, BTU x 1000, tons x hours (refrigeration).

Maximum Thermal Power

3000MW

Measurement Time

0.3s.

Accuracy OIML R75 Class 4 and EN 1434.

Power Requirements

DC Power: 12 to 24V DC @ 100mA maximum.

Physical

Temperature

Operating:	5 to 55°C.
Storage:	-20 to 70°C.

Environmental Class

EN1434 Classes A & C.

Enclosure

Protection:	IP66 (Nema 4X) watertight.
Materials:	Polycarbonate and ABS.

Mounting Options

Wall:	Wall mount bracket.
Panel:	Mounting clips.

Inputs

Flowmeter

Type:	Frequency or pulse between 0.01Hz to 20KHz. Default low frequency cutoff is 0.25Hz.
K-factor Range:	Programmable in the range 0,001 to 999,999.9 pulses per litre, m ³ , US gallon or ft ³ .
Signal Type:	Pulse, open collector, reed switch, proximity switch or coil.
Location:	In either the return or feed lines.

Temperature

Type:	4-wire Pt100 RTDs to IEC 751. 1/10 DIN.
Location:	1 x Feed Line and 1 x Return Line.
Linearisation:	Built-in RTD linearisation.
Temp. Range:	-10 to 220°C (1 to 200°C approved).
Temp. Difference:	1 to 200K (2 to 199K approved).
Measurement Time:	15s
Cable Length:	<50m.
Connection:	G1/2B.

Outputs

Pulse

Type:	Open collector will sink up to 100mA, 30V DC maximum.
Width:	10ms.
Function:	Volume or Energy (scaled).
Frequency:	1 pulse every preset number of units of energy or volume total.

Alarm

Type:	Two solid state opto-isolated relays which will sink up to 100mA, 30V DC maximum.
Function:	High and low alarms individually programmable as unsigned values for flow rate, energy flow rate, feed temperature, return temperature or temperature difference.

Meter-Bus

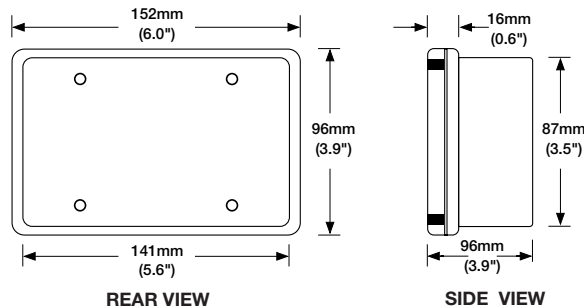
Type:	Conforms to CEN/TC176 Meter-bus standard.
Protocol:	IEC 870-5.

RS485

Data Transmitted:	All data calculated can be transmitted.
Baud Rate:	300 to 9600 baud.
Parity:	Odd, even or none.
Stop Bits:	One or two.
Bus Address:	Programmable for multiple instruments on the same bus.
Protocol:	Modbus RTU.

Important: Specifications are subject to change without notice.

Dimension Drawings

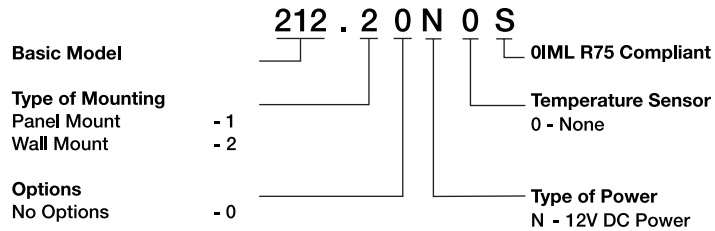


Terminal Descriptions

RTD Connections		Flowmeter Signals		Communications		Alarm Relays		Power Supply	
No.		No.		No.		No.		No.	
1	High temp RTD Current (+)	9	Namur Switch (+)	24	Meter-Bus	52	Relay 0 (+) DC voltage only	50	12V DC Supply(+)
2	High temp RTD Current (-)	10	Flow Signal Input	25	Meter-Bus	53	Relay 0 (-) DC voltage only	51	12V DC Supply(-)
3	Low temp RTD Current (+)	11	Coil Reference			54	Relay 1 (+) DC voltage only		
4	Low temp RTD Current (-)	12	Flow Signal Common	56	RS485 (+)	55	Relay 1 (-) DC voltage only	58	↔ Shields
5	High temp RTD Input (+)			57	RS485 (-)				
6	High temp RTD Input (-)								
7	High temp RTD Input (+)	16	Pulse Output (+)						
8	High temp RTD Input (-)	17	Pulse Output (-)						

Ordering Information

When specifying please indicate model(s) required using the following method.



Distributed by:

YOKOGAWA 

BU 1P11A2-E-U
 REV 1, JULY 1998

4 Dart Road
 Newnan, Georgia
 Tel: 1-770-254-0400
 Fax: 1-770-251-6427
 www.yokogawa-ia.com