

# General Specifications

## Model EJA210A and EJA220A Flange Mounted Differential Pressure Transmitters

**DP** *harp*

GS 01C21C01-00E

The high performance flange mounted differential pressure transmitter models EJA210A and 220A can be used to measure levels of densities of solidifying or precipitating liquids. Both output a 4 to 20 mA DC signal corresponding to the measured differential pressure. Models EJA210A and 220A also feature remote setup and monitoring through communications with the BRAIN™ terminal and CENTUM CS™ or μXL™ or HART® 275 host.

### STANDARD SPECIFICATIONS

Refer to GS 01C22T02-00E for FOUNDATION Fieldbus communication type and GS 01C22T03-00E for PROFIBUS PA communication type marked with “◇.”

### PERFORMANCE SPECIFICATIONS

Zero-based calibrated span, linear output, wetted parts material code ‘S’ for 3-inch flange flush type and 4-inch flange extended type.

#### Reference Accuracy of Calibrated Span

(including the effects of zero-based linearity, hysteresis, and repeatability)

±0.075 % of Span

For spans below X,

$$\pm [0.025 + 0.05 \frac{X}{\text{Span}}] \% \text{ of Span}$$

where X equals:

Capsule	X kPa {inH <sub>2</sub> O}
M	10 {40}
H	100 {400}

#### Ambient Temperature Effects

**Total Effects per 28 °C (50 °F) Change**

Capsule	Effect
M	±[0.224 % Span + 0.056 % URL]
H	±[0.14 % Span + 0.028 % URL]

#### Static Pressure Effects

**Total Effects per Change**

±[0.028 % Span + 0.007 % URL] per 0.69 MPa {100 psi}

**Effect on Zero (can be corrected at line pressure)**

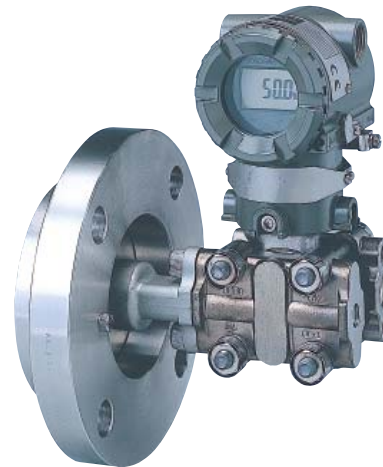
±0.007 % of URL per 0.69 MPa {100 psi}

#### Stability

±0.1 % of URL per 60 months

#### Power Supply Effects “◇”

±0.005 % per Volt (from 21.6 to 32 V DC, 350 Ω)



### FUNCTIONAL SPECIFICATIONS

#### Span & Range Limits

Measurement Span and Range		kPa	inH <sub>2</sub> O (/D1)	mbar (/D3)	mmH <sub>2</sub> O (/D4)
M	Span	1 to 100	4 to 400	10 to 1000	100 to 10000
	Range	-100 to 100	-400 to 400	-1000 to 1000	-10000 to 10000
H	Span	5 to 500	20 to 2000	50 to 5000	0.05 to 5 kgf/cm <sup>2</sup>
	Range	-500 to 500	-2000 to 2000	-5000 to 5000	-5 to 5 kgf/cm <sup>2</sup>

T01E EPS

URL is defined as the Upper Range Limit from the table above.

#### Zero Adjustment Limits

Zero can be fully elevated or suppressed, within the Lower and Upper Range Limits of the capsule.

#### External Zero Adjustment “◇”

External zero is continuously adjustable with 0.01 % incremental resolution of span. Span may be adjusted locally using the digital indicator with range switch.

#### Output “◇”

Two wire 4 to 20 mA DC output with digital communications. BRAIN or HART FSK protocol are superimposed on the 4 to 20 mA signal.

#### Failure Alarm

Output status at CPU failure and hardware error;

Up-scale: 110%, 21.6 mA DC or more(standard)

Down-scale: -5%, 3.2 mA DC or less

-2.5%, 3.6 mA DC or less (Optional code /F1)

Note: Applicable for Output signal code D and E

**Damping Time Constant (1st order)**

The sum of the amplifier and capsule damping time constant must be used for the overall time constant. Amp damping time constant is adjustable from 0.2 to 64 seconds.

Model	EJA210A		EJA220A	
Capsule (Silicone Oil)	M	H	M	H
Time Constant (sec.)	0.4	0.4	0.4	0.4

**Ambient Temperature Limits**

(approval codes may affect limits)

- 40 to 85 °C (-40 to 185 °F)
- 30 to 80 °C (-22 to 176 °F) with LCD Display

**Process Temperature Limits**

(approval codes may affect limits)

- 40 to 120 °C (-40 to 248 °F)

**Ambient Humidity Limits**

- 5 to 100 % RH @ 40 °C (104 °F)

**Working Pressure Limits (Silicone Oil)**

2.7 kPa abs(0.38 psia) to flange rating (see graph below)

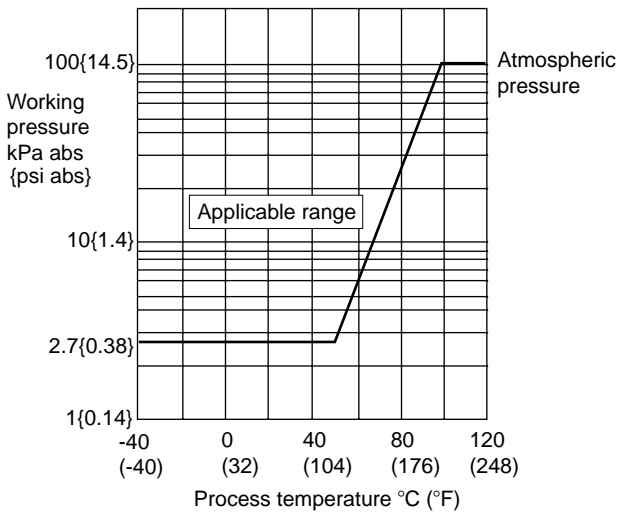


Figure 1. Working Pressure and Process Temperature

**EMC Conformity Standards “◇” CE , N200**

- EN61326-1 Class A, Table2 (For use in industrial locations)
- EN61326-2-3

**European Pressure Equipment Directive 97/23/EC**

Sound Engineering Practice

**Supply & Load Requirements**

(Safety approvals may affect electrical requirements)  
With 24 V DC supply, up to a 570 Ω load can be used. See Figure 2.

**Supply Voltage “◇”**

- 10.5 to 42 V DC for general use and flameproof type
- 10.5 to 32 V DC for lightning protector (Optional code /A)
- 10.5 to 30 V DC for intrinsically safe, Type n, nonincendive, or non-sparking type
- Minimum voltage limited at 16.4 V DC for digital communications, BRAIN and HART

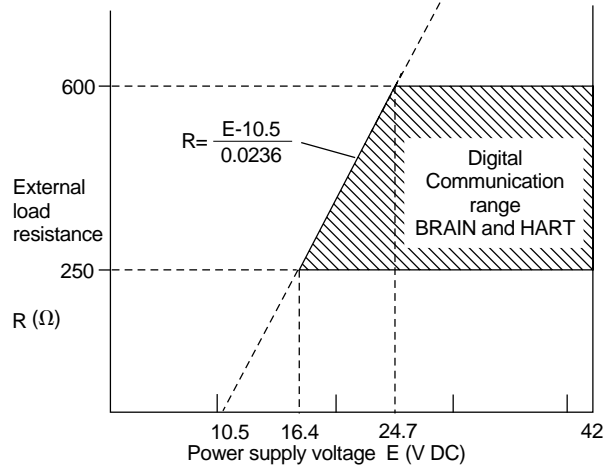


Figure 2. Relationship Between Power Supply Voltage and External Load Resistance

**Load (Output signal code D and E)**

- 0 to 1335 Ω for operation
- 250 to 600 Ω for digital communication

**Communication Requirements “◇”**

**BRAIN**

**Communication Distance**

Up to 2 km (1.25 miles) when using CEV polyethylene-insulated PVC-sheathed cables. Communication distance varies depending on type of cable used.

**Load Capacitance**

0.22 μF or less (see note)

**Load Inductance**

3.3 mH or less (see note)

**Input Impedance of communicating device**

10 kΩ or more at 2.4 kHz.

Note : For general-use and Flameproof type.  
For Intrinsically safe type, please refer to 'OPTIONAL SPECIFICATIONS.'

□ **PHYSICAL SPECIFICATIONS**

**Wetted Parts Materials**

**High side:**

See wetted parts materials of the model code

**Low side:**

**Diaphragm**

Hastelloy C-276

**Cover flange**

SCS14A

**Process connector**

SCS14A

**Capsule Gasket**

Teflon-coated SUS316L

**Vent and Drain Plug**

SUS316

**Process Connector Gasket**

PTFE Teflon

**Non-wetted Parts Materials**

**Bolting**

SCM435, SUS630, or SUH660

**Housing**

Low copper cast-aluminum alloy with polyurethane paint (Munsell 0.6GY3.1/2.0)

**Degrees of Protection**

IP67, NEMA4X, JIS C0920 immersion proof

**Cover O-rings**

Buna-N

**Name plate and tag**

SUS304 or SUS316 (option)

**Fill Fluid**

Silicone, Fluorinated oil(option)

**Weight**

10.7 kg(23.6 lb) (Model EJA210A with 3" ANSI 150 flange; without integral indicator and process connector.)

16.1 kg(35.5 lb) (Model EJA220A with 4" ANSI 150 flange, X<sub>2</sub>= 100; without integral indicator and process connector.)

**Connections**

Refer to the model code to specify the process and electrical connection type. The high pressure side will be a flange connected, low pressure side is threaded.

Process Connection of Low Side Cover Flange: DIN 19213 with 7/16 inch × 20 unf female thread.

< Settings When Shipped > “◇”

Tag Number	As specified in order *1
Output Mode	'Linear' unless otherwise specified in order
Display Mode	'Linear' unless otherwise specified in order
Operation Mode	'Normal' unless otherwise specified in order
Damping Time Constant *2	'2 sec.'
Calibration Range Lower Range Value	As specified in order
Calibration Range Higher Range Value	As specified in order
Calibration Range Units	Selected from mmH <sub>2</sub> O, mmAq, mmWG, mmHg, Pa, hPa, kPa, MPa, mbar, bar, gf/cm <sup>2</sup> , kgf/cm <sup>2</sup> , inH <sub>2</sub> O, inHg, ftH <sub>2</sub> O, or psi. (Only one unit can be specified)

T02E.EPS

\*1: Up to 16 alphanumeric characters for BRAIN and 8 characters for HART including '-' and '.' will be entered in the amplifier memory. If specified Tag includes other characters than above, it will not be entered in the amplifier memory.

\*2: If using square root output, set damping time constant to 2 sec. or more.

< Related Instruments > “◇”

Power Distributor: Refer to GS 01B04T01-02E or GS 01B04T02-02E

BRAIN TERMINAL: Refer to GS 01C00A11-00E

< Reference >

1. Teflon; Trademark of E.I. DuPont de Nemours & Co.
2. Hastelloy; Trademark of Haynes International Inc.
3. HART; Trademark of the HART Communication Foundation.
4. FOUNDATION; Trademark of Fieldbus Foundation.
5. PROFIBUS; Registered trademark of Profibus Nutzerorganisation e.v., Karlsruhe, Germany.

**Material Cross Reference Table**

SUS316L	AISI 316L
SUS316	AISI 316
SUS304	AISI 304
S25C	AISI 1025
SCM435	AISI 4137
SUS630	ASTM630
SCS14A	ASTM CF-8M

T03E.EPS

6. Other company names and product names used in this material are registered trademarks or trademarks of their respective owners.

< Specification Conformance >

The model EJA210A/220A maintains a specification conformance to at least 3 σ.


## MODEL AND SUFFIX CODES

### Model EJA210A [Process Flange size: 3-inch (80 mm)]

Model	Suffix Codes	Description
<b>EJA210A</b>	.....	Flange-mounted differential pressure transmitter (Flush diaphragm type)
Output Signal	-D ..... -E ..... -F ..... -G .....	4 to 20 mA DC with digital communication (BRAIN protocol) 4 to 20 mA DC with digital communication (HART protocol, refer to GS 01C22T01-00E) Digital communication (FOUNDATION Fieldbus protocol, refer to GS 01C22T02-00E) Digital communication (PROFIBUS PA protocol, refer to GS 01C22T03-00E)
Measurement span (capsule)	M ..... H .....	1 to 100 kPa {100 to 10000 mmH <sub>2</sub> O} {4 to 400 inH <sub>2</sub> O} {10 to 1000 mbar} 5 to 500 kPa {0.05 to 5 kgf/cm <sup>2</sup> } {20 to 2000 inH <sub>2</sub> O} {50 to 5000 mbar}
High pressure side (Process flange side) wetted parts material <sup>*1,3</sup>	S# ..... H# ..... T .....	[Diaphragm] [Others] SUS316L SUS316 Hastelloy C-276 <sup>*4</sup> Hastelloy C-276 <sup>*4</sup> Tantalum Tantalum
Process flange rating	J1 ..... J2 ..... A1 ..... A2 ..... D2 ..... D4 .....	JIS10K JIS20K ANSI Class 150 P1 ..... JPI Class150 ANSI Class 300 P2 ..... JPI Class 300 DIN PN10/16 DIN PN25/40
Process flange size / material ☆	D ..... E ..... F .....	3-inch (80 mm) / S25C 3-inch (80 mm) / SUS304 3-inch (80 mm) / SUS316
Low pressure side process connection	0 ..... 1 ..... 2 ..... 3 ..... 4 ..... 5 ☆ .....	without process connector (Rc1/4 female on the cover flange) with Rc1/4 female process connector with Rc1/2 female process connector with 1/4NPT female process connector with 1/2NPT female process connector without process connector (1/4 NPT female on the cover flange)
Bolts and nuts material ☆	A ..... B ..... C .....	SCM435 SUS630 SUH660
Installation	-9 .....	Horizontal impulse piping type, left side high pressure
Electrical connection ☆	0 ..... 2 ..... 3 ..... 4 ..... 5 ..... 7 ..... 8 ..... 9 ..... A ..... C ..... D .....	G1/2 female, one electrical connection 1/2 NPT female, two electrical connections without blind plug Pg 13.5 female, two electrical connections without blind plug M20 female, two electrical connections without blind plug G1/2 female, two electrical connections and a blind plug 1/2 NPT female, two electrical connections and a blind plug Pg 13.5 female, two electrical connections and a blind plug M20 female, two electrical connections and a blind plug G1/2 female, two electrical connections and a SUS316 blind plug 1/2 NPT female, two electrical connections and a SUS316 blind plug M20 female, two electrical connections and a SUS316 blind plug
Integral indicator ☆	D ..... E ..... N ☆ .....	Digital indicator Digital indicator with the range setting switch*2 (None)
Optional codes	N .....	Always N
		<input type="checkbox"/> Optional specification

T04E.EPS

The '☆' marks indicate the most typical selection for each specification. Example: EJA210A-DMSA1D5A-92NN/□  
The '#' marks indicate the construction materials conform to NACE material recommendations per MR01-75. For the use of SUS316 material, there may be certain limitations for pressure and temperature. Please refer to NACE standards for details.


- \*1: Low pressure side wetted parts material: Cover flange; SCS14A, Process connector; SCS14A, Capsule; SUS316L (Diaphragm; Hastelloy C-276 or ASTM N10276), Vent plug; SUS316
- \*2: Not applicable for Output signal code F and G.
- \*3:  Users must consider the characteristics of selected wetted parts material and the influence of process fluids. The use of inappropriate materials can result in the leakage of corrosive process fluids and cause injury to personnel and/or damage to plant facilities. It is also possible that the diaphragm itself can be damaged and that material from the broken diaphragm and the fill fluid can contaminate the user's process fluids. Be very careful with highly corrosive process fluids such as hydrochloric acid, sulfuric acid, hydrogen sulfide, sodium hypochlorite, and high-temperature steam (150°C [302°F] or above). Contact Yokogawa for detailed information of the wetted parts material.
- \*4: Hastelloy C-276 or ASTM N10276.

● Model EJA210A [Process Flange size: 2-inch (50 mm)]

Model	Suffix Codes	Description
<b>EJA210A</b>	.....	Flange-mounted differential pressure transmitter (Flush diaphragm type)
Output Signal	-D ..... -E ..... -F ..... -G .....	4 to 20 mA DC with digital communication (BRAIN protocol) 4 to 20 mA DC with digital communication (HART protocol, refer to GS 01C22T01-00E) Digital communication (FOUNDATION Fieldbus protocol, refer to GS 01C22T02-00E) Digital communication (PROFIBUS PA protocol, refer to GS 01C22T03-00E)
Measurement span (capsule)	M ..... H .....	1 to 100 kPa {100 to 10000 mmH <sub>2</sub> O} {4 to 400 inH <sub>2</sub> O} {10 to 1000 mbar} 5 to 500 kPa {0.05 to 5 kgf/cm <sup>2</sup> } {20 to 2000 inH <sub>2</sub> O} {50 to 5000 mbar}
High pressure side (Process flange side) wetted parts material*1*3	W# .....	[Diaphragm] [Others] Hastelloy C-276*4 SUS316
Process flange rating	J1 ..... J2 ..... A1 ..... A2 ..... D2 ..... D4 .....	JIS10K JIS20K ANSI Class 150 P1 ..... JPI Class150 ANSI Class 300 P2 ..... JPI Class 300 DIN PN10/16 DIN PN25/40
Process flange size / material ☆	A ..... B ..... C .....	2-inch (50 mm) / S25C 2-inch (50 mm) / SUS304 2-inch (50 mm) / SUS316
Low pressure side process connection ☆	0 ..... 1 ..... 2 ..... 3 ..... 4 ..... 5 .....	without process connector (Rc1/4 female on the cover flange) with Rc1/4 female process connector with Rc1/2 female process connector with 1/4NPT female process connector with 1/2NPT female process connector without process connector (1/4 NPT female on the cover flange)
Bolts and nuts material ☆	A ..... B ..... C .....	SCM435 SUS630 SUH660
Installation	-9 .....	Horizontal impulse piping type, left side high pressure
Electrical connection ☆	0 ..... 2 ..... 3 ..... 4 ..... 5 ..... 7 ..... 8 ..... 9 ..... A ..... C ..... D .....	G1/2 female, one electrical connection 1/2 NPT female, two electrical connections without blind plug Pg 13.5 female, two electrical connections without blind plug M20 female, two electrical connections without blind plug G1/2 female, two electrical connections and a blind plug 1/2 NPT female, two electrical connections and a blind plug Pg 13.5 female, two electrical connections and a blind plug M20 female, two electrical connections and a blind plug G1/2 female, two electrical connections and a SUS316 blind plug 1/2 NPT female, two electrical connections and a SUS316 blind plug M20 female, two electrical connections and a SUS316 blind plug
Integral indicator ☆	D ..... E ..... N .....	Digital indicator Digital indicator with the range setting switch*2 (None)
—	N .....	Always N
Optional codes	/□ Optional specification	

T05E.EPS

The '☆' marks indicate the most typical selection for each specification. Example: EJA210A-DMWA1A5A-92NN/□  
The '#' marks indicate the construction materials conform to NACE material recommendations per MR01-75. For the use of SUS316 material, there may be certain limitations for pressure and temperature. Please refer to NACE standards for details.


- \*1: Low pressure side wetted parts material: Cover flange; SCS14A, Process connector; SCS14A, Capsule; SUS316L (Diaphragm; Hastelloy C-276 or ASTM N10276), Vent plug; SUS316
- \*2: Not applicable for Output signal code F and G.
- \*3:  Users must consider the characteristics of selected wetted parts material and the influence of process fluids. The use of inappropriate materials can result in the leakage of corrosive process fluids and cause injury to personnel and/or damage to plant facilities. It is also possible that the diaphragm itself can be damaged and that material from the broken diaphragm and the fill fluid can contaminate the user's process fluids. Be very careful with highly corrosive process fluids such as hydrochloric acid, sulfuric acid, hydrogen sulfide, sodium hypochlorite, and high-temperature steam (150°C [302°F] or above). Contact Yokogawa for detailed information of the wetted parts material.
- \*4: Hastelloy C-276 or ASTM N10276.

● Model EJA220A

Model	Suffix Codes	Description
<b>EJA220A</b>	.....	Flange-mounted differential pressure transmitter (Extended diaphragm type)
Output Signal	-D ..... -E ..... -F ..... -G .....	4 to 20 mA DC with digital communication (BRAIN protocol) 4 to 20 mA DC with digital communication (HART protocol, refer to GS 01C22T01-00E) Digital communication (FOUNDATION Fieldbus protocol, refer to GS 01C22T02-00E) Digital communication (PROFIBUS PA protocol, refer to GS 01C22T03-00E)
Measurement span (capsule)	M ..... H .....	1 to 100 kPa {100 to 10000 mmH <sub>2</sub> O} {4 to 400 inH <sub>2</sub> O} {10 to 1000 mbar} 5 to 500 kPa {0.05 to 5 kgf/cm <sup>2</sup> } {20 to 2000 inH <sub>2</sub> O} {50 to 5000 mbar}
High pressure side (Process flange side) wetted parts material <sup>1*5</sup>	S <sup>2</sup> # ..... W <sup>3</sup> # .....	[Diaphragm] [Pipe] [Others] SUS316L SUS316 SUS316 Hastelloy C-276 <sup>6</sup> SUS316 SUS316
Process flange rating	J1 ..... J2 ..... A1 ..... A2 ..... D2 ..... D4 .....	JIS10K JIS20K ANSI Class 150 P1 ..... JPI Class150 ANSI Class 300 P2 ..... JPI Class 300 DIN PN10/16 DIN PN25/40
Diaphragm extension length (X <sub>2</sub> )	☆ 2 ..... 4 ..... 6 .....	X <sub>2</sub> =50 mm X <sub>2</sub> =100 mm X <sub>2</sub> =150 mm
Process flange size/material	☆ G ..... H ..... J ..... D ..... E ..... F .....	4-inch (100 mm) / S25C 4-inch (100 mm) / SUS304 4-inch (100 mm) / SUS316 3-inch (80 mm) / S25C 3-inch (80 mm) / SUS304 3-inch (80 mm) / SUS316
Low pressure side process connection	0 ..... 1 ..... 2 ..... 3 ..... 4 ..... ☆ 5 .....	without process connector (Rc1/4 female on the cover flanges) with Rc1/4 female process connector with Rc1/2 female process connector with 1/4 NPT female process connector with 1/2 NPT female process connector without process connector (1/4 NPT female on the cover flanges)
Bolts and nuts material	☆ A ..... B ..... C .....	SCM435 SUS630 SUH660
Installation	-9 .....	Horizontal impulse piping type, left side high pressure
Electrical connection	☆ 0 ..... 2 ..... 3 ..... 4 ..... 5 ..... 7 ..... 8 ..... 9 ..... A ..... C ..... D .....	G1/2 female, one electrical connection 1/2 NPT female, two electrical connections without blind plug Pg 13.5 female, two electrical connections without blind plug M20 female, two electrical connections without blind plug G1/2 female, two electrical connections and a blind plug <sup>*7</sup> 1/2 NPT female, two electrical connections and a blind plug <sup>*7</sup> Pg 13.5 female, two electrical connections and a blind plug <sup>*7</sup> M20 female, two electrical connections and a blind plug <sup>*7</sup> G1/2 female, two electrical connections and a SUS316 blind plug 1/2 NPT female, two electrical connections and a SUS316 blind plug M20 female, two electrical connections and a SUS316 blind plug
Integral indicator	D ..... E ..... ☆ N .....	Digital indicator Digital indicator with the range setting switch*4 (None)
Optional codes	N ..... /□	Always N Optional specification

T06E.EPS

The '☆' marks indicate the most typical selection for each specification. Example: EJA220A-DMSA12G5A-92NN/□  
The '#' marks indicate the construction materials conform to NACE material recommendations per MR01-75. For the use of SUS316 material, there may be certain limitations for pressure and temperature. Please refer to NACE standards for details.

- \*1: Low pressure side wetted parts material: Cover flange; SCS14A, Process connector; SCS14A, Capsule; SUS316L (Diaphragm, Hastelloy C-276 or ASTM N10276), Vent plug; SUS316
- \*2: Applicable for 4-inch (100 mm) flange size (Process flange size/material G, H and J).
- \*3: Applicable for 3-inch (80 mm) flange size (Process flange size/material D, E and F).
- \*4: Not applicable for Output signal code F and G.
- \*5:  Users must consider the characteristics of selected wetted parts material and the influence of process fluids. The use of inappropriate materials can result in the leakage of corrosive process fluids and cause injury to personnel and/or damage to plant facilities. It is also possible that the diaphragm itself can be damaged and that material from the broken diaphragm and the fill fluid can contaminate the user's process fluids. Be very careful with highly corrosive process fluids such as hydrochloric acid, sulfuric acid, hydrogen sulfide, sodium hypochlorite, and high-temperature steam (150°C [302°F] or above). Contact Yokogawa for detailed information of the wetted parts material.
- \*6: Hastelloy C-276 or ASTM N10276.
- \*7: Not applicable when option code /E1 is specified.

## OPTIONAL SPECIFICATIONS (For Explosion Protected type “◇”)

For FOUNDATION Fieldbus explosion protected type, see GS 01C22T02-00E.

For PROFIBUS PA explosion protected type, see GS 01C22T03-00E.

Item	Description	Code
Factory Mutual (FM)	FM Explosionproof Approval *1 *3 Applicable standard: FM3600, FM3615, FM3810, ANSI/NEMA250 Explosionproof for Class I, Division 1, Groups B, C and D Dust-ignitionproof for Class II/III, Division 1, Groups E, F and G Hazardous (classified) locations, indoors and outdoors (NEMA 4X) Temperature class: T6 Amb. Temp.: -40 to 60°C (-40 to 140°F)	FF1
	FM Intrinsically safe Approval *1 *3 Applicable standard: FM3600, FM3610, FM3611, FM3810, ANSI/NEMA250 Intrinsically Safe for Class I, Division 1, Groups A, B, C & D, Class II, Division 1, Groups E, F & G and Class III, Division 1 Hazardous Locations. Nonincendive for Class I, Division 2, Groups A, B, C & D, Class II, Division 2, Groups E, F & G, and Class III, Division 1 Hazardous Locations. Enclosure: "NEMA 4X", Temp. Class: T4, Amb. Temp.: -40 to 60°C (-40 to 140°F) Intrinsically Safe Apparatus Parameters [Groups A, B, C, D, E, F and G] Vmax=30 V, Imax=165 mA, Pmax=0.9 W, Ci=22.5 nF, Li=730 μH [Groups C, D, E, F and G] Vmax=30 V, Imax=225 mA, Pmax=0.9 W, Ci=22.5 nF, Li=730 μH	FS1
	Combined FF1 and FS1 *1 *3	FU1
CENELEC ATEX	CENELEC ATEX (KEMA) Flameproof Approval *2 *3 Applicable standard: EN50014, EN50018 Certificate: KEMA 02ATEX2148 II 2G EExd IIC T4, T5, T6 Amb. Temp.: T5; -40 to 80°C (-40 to 176°F), T4 and T6; -40 to 75°C (-40 to 167°F) Max. process Temp.: T4; 120°C (248°F), T5; 100°C (212°F), T6; 85°C (185°F)	KF2
	CENELEC ATEX (KEMA) Intrinsically safe Approval *2 *3 Applicable standard: EN50014, EN50020, EN50284 Certificate: KEMA 02ATEX1030X II 1G EEx ia IIC T4, Amb. Temp.: -40 to 60°C (-40 to 140°F) Ui=30 V, Ii=165 mA, Pi=0.9 W, Ci=22.5 nF, Li=730 μH	KS2
	Combined KF2, KS2 and Type n *2 *3 Type n Applicable standard: EN60079-15 Referential standard: IEC60079-0, IEC60079-11 II 3G Ex nL IIC T4, Amb. Temp.: -40 to 60°C (-40 to 140°F) Ui=30 V DC, Ci=22.5 nF, Li=730 μH Dust Applicable standard: EN50281-1-1 II 1D maximum surface temperature T65°C (149°F) {Tamb.: 40°C (104°F)}, T85°C (185°F) {Tamb.: 60°C (140°F)}, T105°C (221°F) {Tamb.: 80°C (176°F)}	KU2

T07-1E.EPS

- \*1: Applicable for Electrical connection code 2, 7 and C (1/2 NPT female).
- \*2: Applicable for Electrical connection code 2, 4, 7, 9, C and D (1/2 NPT and M20 female).
- \*3: Applicable for Output signal code D and E.  
For intrinsically safe approval, use the safety barrier certified by the testing laboratories (BARD-400 is not applicable).

Item	Description	Code
Canadian Standards Association (CSA)	CSA Explosionproof Approval *1 *3 Applicable standard: C22.2 No. 0, No. 0.4, No. 25, No. 30, No. 94, No. 142 Certificate: 1089598 Explosionproof for Class I, Division 1, Groups B, C and D Distinguitionproof for Class II/III, Division 1, Groups E, F and G Division2 'SEALS NOT REQUIRED', Temp. Class: T4, T5, T6 Encl Type 4x Max. Process Temp.: T4; 120°C (248°F), T5; 100°C (212°F), T6; 85°C (185°F) Amb. Temp.: -40 to 80°C (-40 to 176°F) Process Sealing Certification Dual Seal Certified by CSA to the requirement of ANSI/ISA 12.27.01 No additional sealing required. Primary seal failure annunciation: at the zero adjustment screw	CF1
	CSA Intrinsically safe Approval *1 *3 Applicable standard: C22.2 No. 0, No. 0.4, No. 25, No. 30, No. 94, No. 142, No. 157 No. 213 Certificate: 1053843 Class I, Groups A, B, C and D Class II and III, Groups E, F and G Encl Type 4x, Temp. Class: T4, Amb. Temp.: -40 to 60°C (-40 to 140°F) Vmax=30 V, Imax=165 mA, Pmax=0.9 W, Ci=22.5 nF, Li=730 μH Process Sealing Certification Dual Seal Certified by CSA to the requirement of ANSI/ISA 12.27.01 No additional sealing required. Primary seal failure annunciation: at the zero adjustment screw	CS1
	Combined CF1 and CS1 *1 *3	CU1
IECEX Scheme *4	IECEx Intrinsically safe, type n and Flameproof Approval *3 *5 Intrinsically safe and type n Applicable Standard: IEC 60079-0:2004, IEC 60079-11:1999, IEC 60079-15:2005, IEC 60079-26:2005 Certificate: IECEx KEM 06.0007X Ex ia IIC T4, Ex nL IIC T4 Enclosure: IP67 Amb. Temp.: -40 to 60°C (-40 to 140°F), Max. Process Temp.: 120°C (248°F) Electrical Parameters: [Ex ia] Ui=30 V, li=165 mA, Pi=0.9 W, Ci=22.5 nF, Li=730 μH [Ex nL] Ui=30 V, Ci=22.5 nF, Li=730 μH Flameproof Applicable Standard: IEC 60079-0:2004, IEC60079-1:2003 Certificate: IECEx KEM 06.0005 Ex d IIC T6...T4 Enclosure: IP67 Max.Process Temp.: T4;120°C (248°F), T5;100°C (212°F), T6; 85°C (185°F) Amb.Temp.: -40 to 75°C (-40 to 167°F) for T4, -40 to 80°C (-40 to 176°F) for T5, -40 to 75°C (-40 to 167°F) for T6	SU2

T07-2E.EPS

- \*1: Applicable for Electrical connection code 2, 7 and C (1/2 NPT female).
- \*2: Applicable for Electrical connection code 2, 4, 7, 9, C and D (1/2 NPT and M20 female).
- \*3: Applicable for Output signal code D and E.  
For intrinsically safe approval, use the safety barrier certified by the testing laboratories (BARD-400 is not applicable).
- \*4: Applicable only for Australia and New Zealand area.
- \*5: Applicable for Electrical connection code 2, 4, 7, C and D (1/2 NPT and M20 female).

## OPTIONAL SPECIFICATIONS

Item	Description	Code
Painting *1	Color change	Amplifier cover only Amplifier cover and terminal cover, Munsell 7.5 R4/14
	Coating change	Epoxy resin-baked coating *2
316 SST exterior parts	Exterior parts on the amplifier housing(name plates, tag plate, zero-adjustment screw, stopper screw) will become 316 SST *3	HC
Lightning protector	Transmitter power supply voltage: 10.5 to 32 V DC (10.5 to 30 V DC for intrinsically safe type, 9 to 32 V DC for Fieldbus communication type.) Allowable current: Max. 6000 A (1×40 μs), Repeating 1000 A (1×40 μs) 100 times	A
Oil-prohibited use	Degrease cleansing treatment	K1
	Degrease cleansing treatment with fluorinated oil filling. Operating temperature -20 to 80°C	K2
Oil-prohibited use with dehydrating treatment	Degrease cleansing and dehydrating treatment	K5
	Degrease cleansing and dehydrating treatment with fluorinated oil filling. Operating temperature -20 to 80°C	K6

T08E-1.EPS

- \*1: Standard polyurethan painting can be used in acid atmosphere, whereas the epoxy resin-baked coating (Option code X1) can be used in alkaline atmosphere. Anti-corrosion coating, the combination of polyurethan and epoxy resin-baked coating, is available by special order as sea water, alkaline, and acid resistant.
- \*2: Not applicable for color change option.
- \*3: 316 or 316L SST. The specification is included in option code /E1.

Item	Description		Code	
Calibration units*1	P calibration (psi unit)	(See Table for Span and Range Limits.)	D1	
	bar calibration (bar unit)		D3	
	M calibration (kgf/cm <sup>2</sup> unit)		D4	
Sealing treatment to SUS630 nuts	Sealant(liquid silicone rubber) is coated on JIS SUS630 cover flange mounting nuts against stress corrosion cracking.		Y	
No serration*2	No serration work on the flange gasket surface (for ANSI flange only)		Q	
Teflon film *3	Diaphragm protection from sticky process fluid by FEP Teflon film attached with fluorinated oil. Operation range: 20 to 120°C, 0 to 2 MPa (Not applicable for vacuum service).		T	
Fast response *12	Update time: 0.125 sec or less Amplifier damping time constant: 0.1 to 64 sec in 9 increments Response time (with min. damping time constant): max. 0.5 sec (excluding level unit)		F1	
Failure alarm down-scale *4	Output status at CPU failure and hardware error is -5%, 3.2 mA or less.		C1	
NAMUR NE43 compliant *4 *13	Output signal limits: 3.8 mA to 20.5 mA	Failure alarm down-scale: output status at CPU failure and hardware error is -5%, 3.2 mA or less.	C2	
		Failure alarm up-scale: output status at CPU failure and hardware error is 110%, 21.6 mA or more.	C3	
Data configuration at factory *15	Description into "Descriptor" parameter of HART protocol		CA	
Stainless steel amplifier housing *5	Amplifier housing material: SCS14A stainless steel (equivalent to SUS316 cast stainless steel or ASTM CF-8M)		E1	
Gold-plate *6	Inside of isolating diaphragms (fill fluid side) are gold plated, effective for hydrogen permeation. (process flange side)		A1	
Wired tag plate	Stainless steel tag plate wired onto transmitter		N4	
Mill Certificate	High pressure side: Process flange, Block *7 Low pressure side: Cover flange	For model EJA210A	M03	
	High pressure side: Process flange, Block *8 Low pressure side: Cover flange, Process connector		M13	
	High pressure side: Process flange, Block, Pipe, Base *7 Low pressure side: Cover flange	For model EJA220A	M04	
	High pressure side: Process flange, Block, Pipe, Base *8 Low pressure side: Cover flange, Process connector		M14	
Pressure test/Leak test Certificate *14	(Flange rating)	(Test Pressure)		
	JIS 10K	2 MPa {20 kgf/cm <sup>2</sup> }	Nitrogen (N <sub>2</sub> ) Gas *11 Retention time: 10 minutes	T31
	JIS 20K	5 MPa {50 kgf/cm <sup>2</sup> }		T32
	ANSI/JPI Class 150	3 MPa {29.8 kgf/cm <sup>2</sup> }		T36
	ANSI/JPI Class 300	7.7 MPa {77 kgf/cm <sup>2</sup> } *9		T37
	ANSI/JPI Class 300	7 MPa {70 kgf/cm <sup>2</sup> } *10		T38

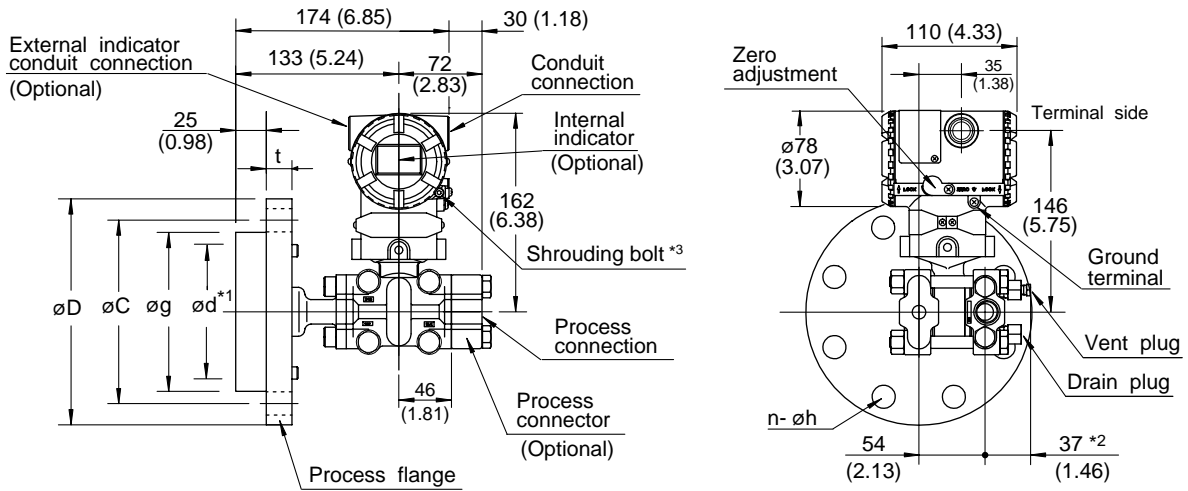
T08E-2.EPS

- \*1: The unit of MWP (Max. working pressure) on name plate of a housing is the same unit as specified by Optional code D1, D3, and D4.
- \*2: This item cannot be applied to model EJA210A Wetted parts material code H and T, whose gasket contact surface are not serrated as standard specifications.
- \*3: Teflon film can only be specified for model EJA210A.
- \*4: Applicable for Output signal code D and E. The hardware error indicates faulty amplifier or capsule. When combining with Option code F1, output status for down-scale is -2.5%, 3.6 mA DC or less.
- \*5: Applicable for Electrical connection code 2, 3, 4, A, C and D. Not applicable for Option code P□ and X1.
- \*6: Applicable for Wetted parts material code S and W. Consult Yokogawa in case gold-plated diaphragm is required for low pressure side.
- \*7: Applicable for Low Pressure Side Process connection code 0 and 5.
- \*8: Applicable for Low Pressure Side Process connection code 1, 2, 3, and 4.
- \*9: Applicable for model EJA210A.
- \*10: Applicable for model EJA220A.
- \*11: Pure nitrogen gas is used for oil-prohibited use (Option code K1, K2, K5, and K6).
- \*12: Applicable for Output signal code D and E. Write protection switch is attached for Output code E.
- \*13: Not applicable for Option code C1.
- \*14: The unit on the certificate is always MPa regardless of selection of option code D1, D3, or D4.
- \*15: Applicable for Output signal code E.

**DIMENSIONS**

● Model EJA210A

Unit: mm (approx.inch)



- \*1: Indicates inside diameter of gasket contact surface.
- \*2: When Optional code K1, K2, K5, or K6 is selected, add 15 mm(0.59 inch) to the value in the figure.
- \*3: Applicable only for ATEX and IECEx Flameproof type.

**Flange size: 3-inch (80 mm)**

Flange Nominal Diameter and Rating	$\varnothing D$	$\varnothing C$	$\varnothing g$	$\varnothing d$	t	Bolt Holes	
						No.(N)	Dia.( $\varnothing$ )
JIS 10K	185(7.28)	150(5.91)	130(5.12)	90(3.54)	18(0.71)	8	19(0.75)
JIS 20K	200(7.87)	160(6.30)	130(5.12)	90(3.54)	22(0.87)	8	23(0.91)
ANSI Class150	190.5(7.50)	152.4(6.00)	130(5.12)	90(3.54)	23.9(0.94)	4	19.1(0.75)
ANSI Class300	209.6(8.25)	168.1(6.62)	130(5.12)	90(3.54)	28.5(1.12)	8	22.4(0.88)
JPI Class150	190(7.48)	152.4(6.00)	130(5.12)	90(3.54)	24(0.94)	4	19(0.75)
JPI Class300	210(8.27)	168.1(6.62)	130(5.12)	90(3.54)	28.5(1.12)	8	22(0.87)
DIN PN 10/16	200(7.87)	160(6.30)	130(5.12)	90(3.54)	20(0.79)	8	18(0.71)
DIN PN 25/40	200(7.87)	160(6.30)	130(5.12)	90(3.54)	24(0.94)	8	18(0.71)

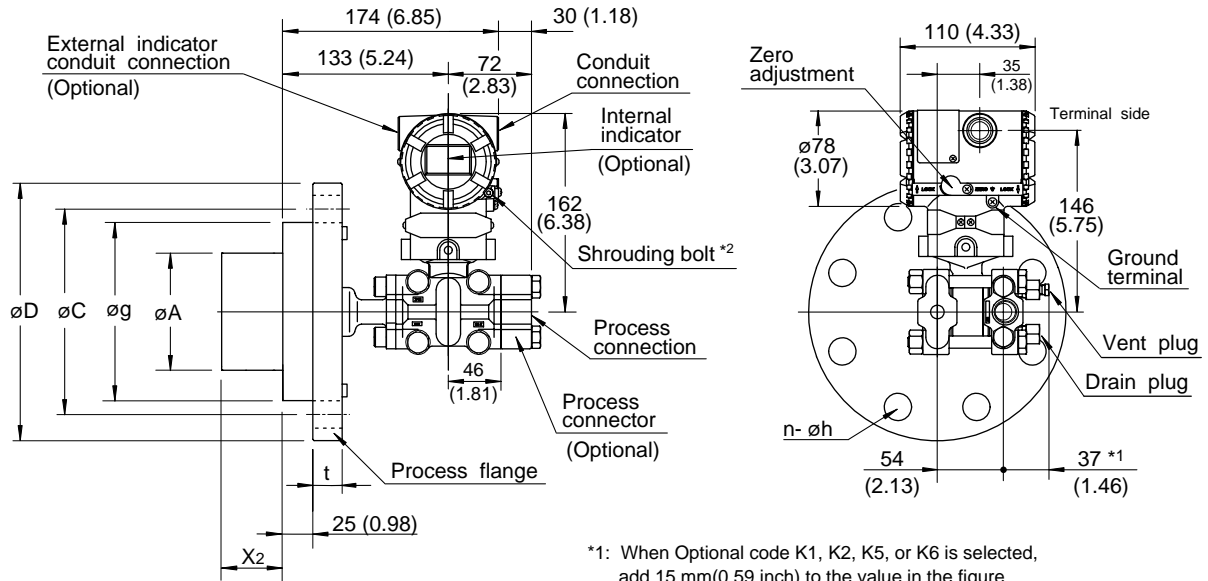
**Flange size: 2-inch (50 mm)**

Flange Nominal Diameter and Rating	$\varnothing D$	$\varnothing C$	$\varnothing g$	$\varnothing d$	t	Bolt Holes	
						No.(N)	Dia.( $\varnothing$ )
JIS 10K	155(6.10)	120(4.72)	100(3.94)	61(2.40)	16(0.63)	4	19(0.75)
JIS 20K	155(6.10)	120(4.72)	100(3.94)	61(2.40)	18(0.71)	8	19(0.75)
ANSI Class150	152.4(6.00)	120.7(4.75)	100(3.94)	61(2.40)	19.1(0.75)	4	19.1(0.75)
ANSI Class300	165.1(6.50)	127(5.00)	100(3.94)	61(2.40)	22.4(0.88)	8	19.1(0.75)
JPI Class150	152(5.98)	120.6(4.75)	100(3.94)	61(2.40)	19.5(0.71)	4	19(0.75)
JPI Class300	165.1(6.50)	127(5.00)	100(3.94)	61(2.40)	22.5(0.89)	8	19(0.75)
DIN PN 10/16	165(6.50)	125(4.92)	100(3.94)	61(2.40)	18(0.71)	4	18(0.71)
DIN PN 25/40	165(6.50)	125(4.92)	100(3.94)	61(2.40)	20(0.79)	4	18(0.71)

F03E.EPS

● Model EJA220A

Unit: mm (approx.inch)



\*1: When Optional code K1, K2, K5, or K6 is selected, add 15 mm(0.59 inch) to the value in the figure.  
 \*2: Applicable only for ATEX and IECEx Flameproof type.

**Flange size: 4-inch (100 mm)**

Flange Nominal Diameter and Rating	øD	øC	øg	øA	t	Bolt Holes	
						No.(N)	Dia.(øh)
JIS 10K	210(8.27)	175(6.89)	155(6.10)	96±0.5(3.78)	18(0.71)	8	19(0.75)
JIS 20K	225(8.86)	185(7.28)	155(6.10)	96±0.5(3.78)	24(0.94)	8	23(0.91)
ANSI Class150	228.6(9.00)	190.5(7.50)	155(6.10)	96±0.5(3.78)	23.9(0.94)	8	19.1(0.75)
ANSI Class300	254(10.00)	200(7.87)	155(6.10)	96±0.5(3.78)	31.8(1.25)	8	22.4(0.88)
JPI Class150	229(9.02)	190.5(7.50)	155(6.10)	96±0.5(3.78)	24(0.94)	8	19(0.75)
JPI Class300	254(10.00)	200.2(7.88)	155(6.10)	96±0.5(3.78)	32(1.26)	8	22(0.87)
DIN PN 10/16	220(8.66)	180(7.09)	155(6.10)	96±0.5(3.78)	20(0.79)	8	18(0.71)
DIN PN 25/40	235(9.25)	190(7.50)	155(6.10)	96±0.5(3.78)	24(0.94)	8	22(0.87)

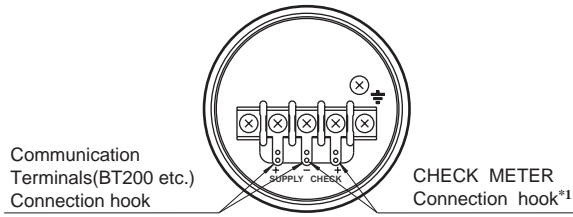
**Flange size: 3-inch (80 mm)**

Flange Nominal Diameter and Rating	øD	øC	øg	øA	t	Bolt Holes	
						No.(N)	Dia.(øh)
JIS 10K	185(7.28)	150(5.91)	130(5.12)	71±0.5(2.80)	18(0.71)	8	19(0.75)
JIS 20K	200(7.87)	160(6.30)	130(5.12)	71±0.5(2.80)	22(0.87)	8	23(0.91)
ANSI Class150	190.5(7.50)	152.4(6.00)	130(5.12)	71±0.5(2.80)	23.9(0.94)	4	19.1(0.75)
ANSI Class300	209.6(8.25)	168.1(6.62)	130(5.12)	71±0.5(2.80)	28.5(1.12)	8	22.4(0.88)
JPI Class150	190(7.48)	152.4(6.00)	130(5.12)	71±0.5(2.80)	24(0.94)	4	19(0.75)
JPI Class300	210(8.27)	168.1(6.62)	130(5.12)	71±0.5(2.80)	28.5(1.12)	8	22(0.87)
DIN PN 10/16	200(7.88)	160(6.30)	130(5.12)	71±0.5(2.80)	20(0.79)	8	18(0.71)
DIN PN 25/40	200(7.87)	160(6.30)	130(5.12)	71±0.5(2.80)	24(0.94)	8	18(0.71)

Diaphragm Extension Length Code	X <sub>2</sub>
2	1.97 inch (50 mm)
4	3.94 inch (100 mm)
6	5.91 inch (150 mm)

F04E.EPS

● Terminal Configuration



● Terminal Wiring

SUPPLY $\pm$	Power supply and output terminal
CHECK $\pm$	External indicator(ammeter) terminal*1
$\text{—}$	Ground terminal

\*1: When using an external indicator or a check meter, the internal resistance must be 10 Ω or less.  
Not available for Fieldbus communication(Output signal code F and G).  
F05E.EPS

■ SELECTION GUIDE

Application	Type	Model	Capsule	Measurement Span		Maximum Working Pressure	
				kPa	inH <sub>2</sub> O	MPa	psi
Differential Pressure	Traditional-Mounting*1	EJA110A	L	0.5 to 10	2 to 40	16*4	2250*4
			M	1 to 100	4 to 400	16	2250
			H	5 to 500	20 to 2000	16	2250
			V	0.14 to 14MPa	20 to 2000 psi	16	2250
Flow	Integral Orifice	EJA115	L	1 to 10	4 to 40	3.5	500
			M	2 to 100	8 to 400	14	2000
			H	20 to 210	80 to 830	14	2000
Differential Pressure & Liquid Level with Remote Seals	Extended Flush Combination	EJA118N EJA118W EJA118Y	M	2.5 to 100	10 to 400	Based on Flange Rating	
			H	25 to 500	100 to 2000		
Draft Range	Traditional-Mounting*1	EJA120A	E	0.1 to 1	0.4 to 4	50 kPa	7.25
Differential Pressure & Liquid Level	Traditional-Mounting*1	EJA130A	M	1 to 100	4 to 400	32	4500
			H	5 to 500	20 to 2000	32	4500
Liquid Level, Closed or Open Tank	Flush Extended	EJA210A EJA220A	M	1 to 100	4 to 400	Based on Flange Rating	
			H	5 to 500	20 to 2000		
Absolute (vacuum) Pressure	Traditional-Mounting*1	EJA310A	L	0.67 to 10*2	2.67 to 40*2	10 kPa*2	40 in H <sub>2</sub> O*2
			M	1.3 to 130*2	0.38 to 38 inHg*2	130 kPa*2	18.65*2
			A	0.03 to 3 MPa*2	4.3 to 430 psi*2	3000 kPa*2	430*2
Gauge Pressure	Traditional-Mounting*1	EJA430A	A	0.03 to 3 MPa	4.3 to 430 psi	3	430
			B	0.14 to 14 MPa	20 to 2000 psi	14	2000
Gauge Pressure with Remote Seal	Extended	EJA438N	A	0.06 to 3 MPa	8.6 to 430 psi	Based on Flange Rating	
			B	0.46 to 7 MPa	66 to 1000 psi		
Gauge Pressure with Remote Seal	Flush	EJA438W	A	0.06 to 3 MPa	8.6 to 430 psi	Based on Flange Rating	
			B	0.46 to 14 MPa	66 to 2000 psi		
High Gauge	Traditional-Mounting*1	EJA440A	C	5 to 32 MPa	720 to 4500 psi	32	4500
			D	5 to 50 MPa	720 to 7200 psi	50	7200
Absolute & Gauge Pressure*3	Direct-Mounting	EJA510A EJA530A	A	10 to 200	1.45 to 29 psi	200 kPa	29
			B	0.1 to 2 MPa	14.5 to 290 psi	2	290
			C	0.5 to 10 MPa	72.5 to 1450 psi	10	1450
			D	5 to 50 MPa	720 to 7200 psi	50	7200

T09E.EPS

- \*1: Traditional-mounting is 1/4 - 18 NPTF process connections ( 1/2 - 14 NPTF with process adapters ) on 2-1/8" centers.
- \*2: Measurement values in absolute.
- \*3: Measurement values in absolute for EJA510A.
- \*4: When combined with Wetted parts material code H, M, T, A, D, and B, the value is 3.5 MPa (500 psi).

< Ordering Information > “◇”

Specify the following when ordering

1. Model, suffix codes, and optional codes
2. Calibration range and units:
  - 1) Calibration range can be specified with range value specifications up to 5 digits (excluding any decimal point) for low or high range limits within the range of -32000 to 32000.
  - 2) Specify only one unit from the table, 'Settings when shipped.'
3. Select linear or square root for output mode and display mode.

Note: If not specified, the instrument is shipped in normal operation mode.

4. Display scale and units (for transmitters equipped with integral indicator only)
 

Specify either 0 to 100 % or engineering unit scale and 'Range and Unit' for engineering units scale: Scale range can be specified with range limit specifications up to 5 digits (excluding any decimal point) for low or high range limits within the range of -19999 to 19999.
5. Tag Number (if required)