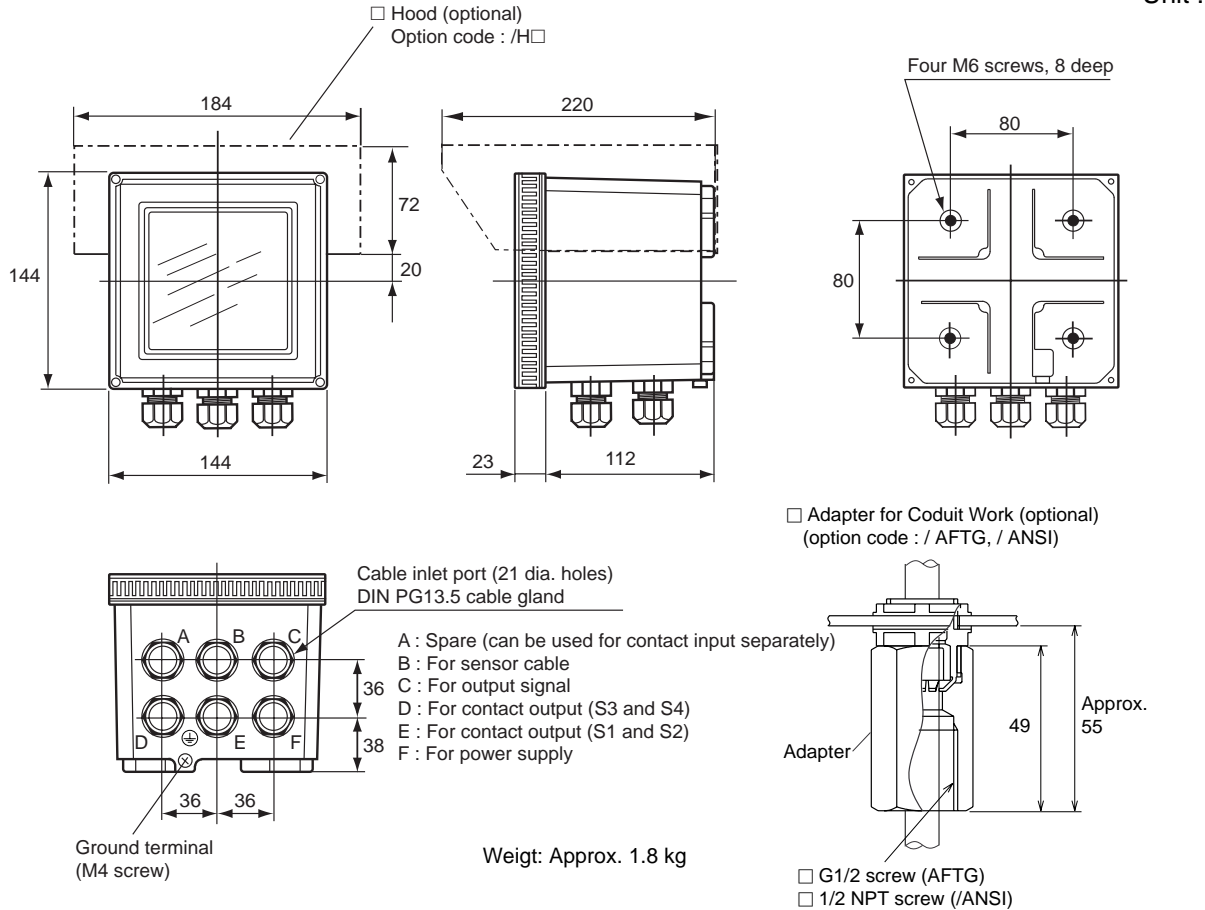


Drawings

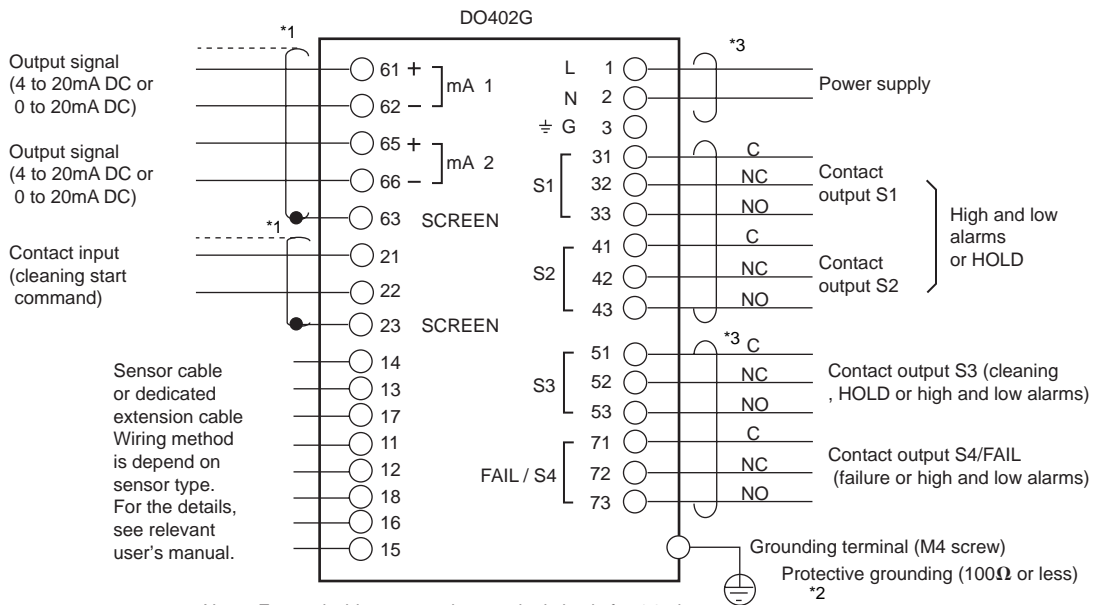
Model DO402G [Style: S3] 4-wire Dissolved-oxygen Metering System Dissolved-oxygen Converter

EXA □□

Unit : mm



Wiring

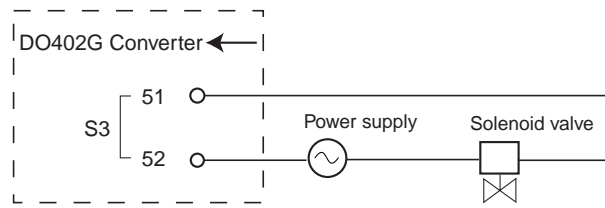


Note : External wiring connection terminal size is for $\phi 2$ pin.

- *1: Always use a shielded cable with an OD of 6 to 12 mm.
- *2: Be sure to ground the DO converter case grounding terminal (grounding resistance of 100 Ω or less).
- *3: Always use a cable with an OD of 6 to 12 mm.

Unless otherwise specified, differences in the dimensions are specified as: General tolerance = \pm (Criteria of tolerance class it18 in JIS B0401-1986) / 2.

Wiring to use S3 contact output for cleaning

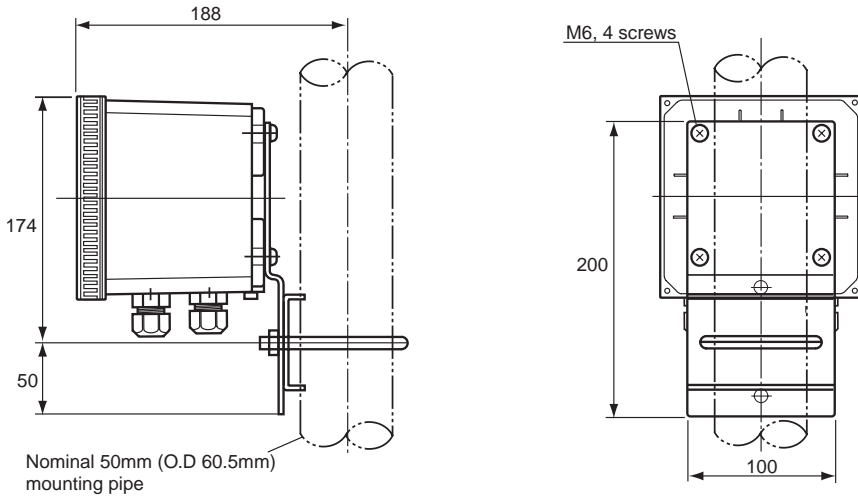


□ Pipe Mounting Bracket / Wall Mounting Bracket (option code : /U)

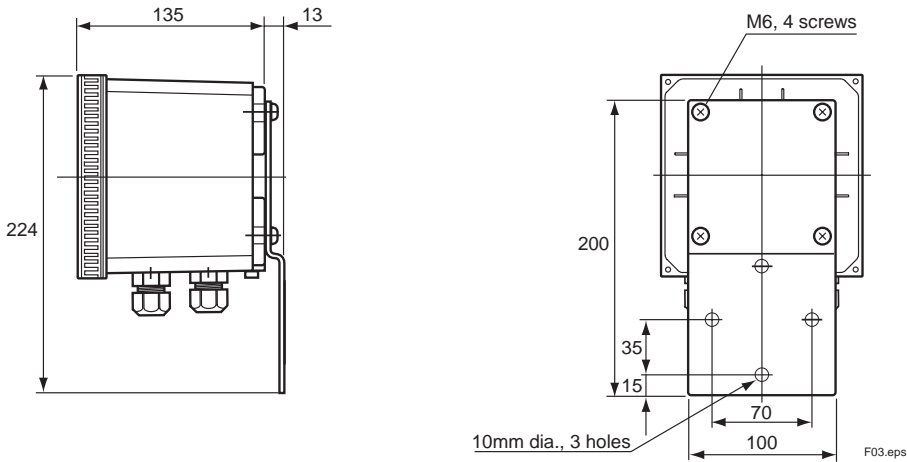
Unit : mm

Weight : Approx. 0.7kg

•Example of bracket used for pipe mounting



•Example of bracket used for wall mounting



□ Panel Mounting Bracket (option code : / PM)

Weight : Approx. 0.4kg

