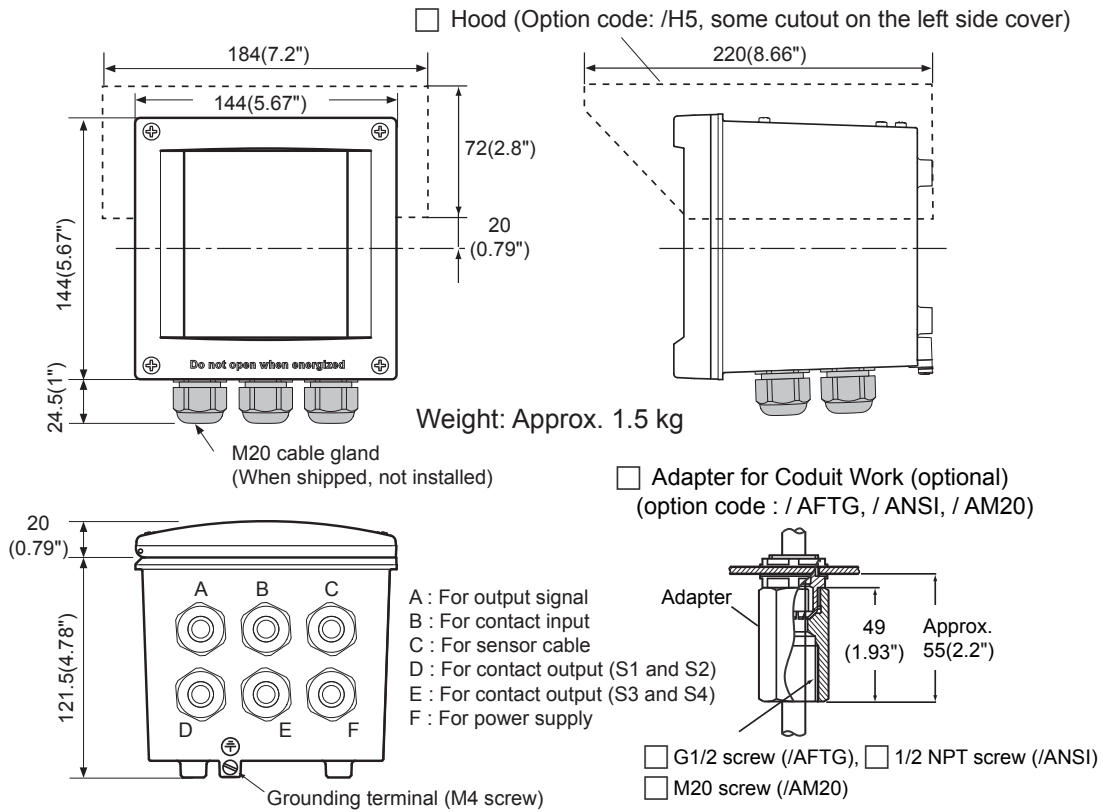


Unit: mm (inch)



Input and Output Connections

Relay Contacts

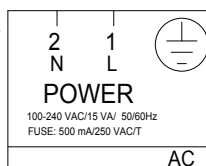
32	31	33	42	41	43	52	51	53	72	71	73	
NC	C	NO	NC	C	NO	250V / 5A AC / DC 100VA / 50W	NC	C	NO	NO	C	NC
S1			S2			CONTACTS	S3		S4 (fail-safe)			

Signal mA Outputs

63	66	65	62	61	22	21	11	12	13	17	14	16	15
SHLD	-	+	-	+			+	-	RECEIVE		SHLD		DRIVE
mA2					mA1 (+HART)		TEMP		COILS				
mA OUTPUTS					CONTACT		SENSOR(S)						
REFER TO INSTRUCTION MANUAL FOR CONNECTIONS													ISC

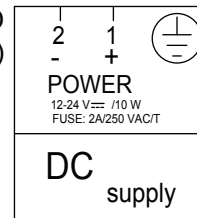
Power Supply

ISC450G-A (AC power)



(Terminals are M3 screw)

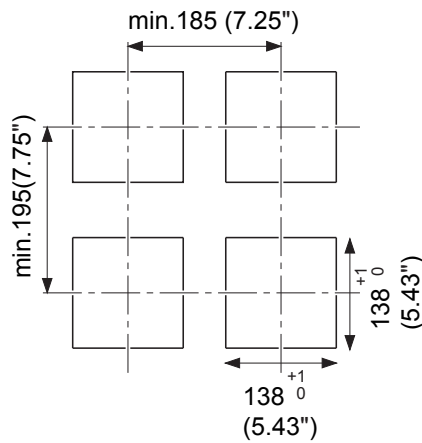
ISC450G-D (DC power)



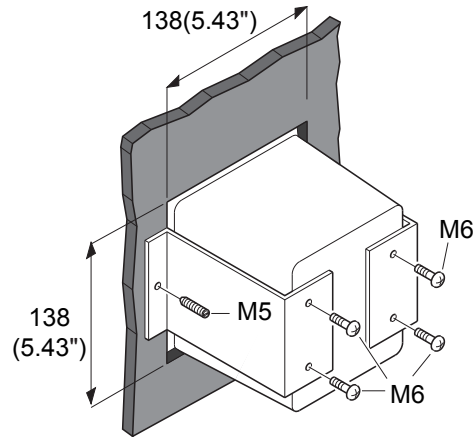
Unless otherwise specified, differences in the dimensions are specified as: General tolerance = ± (Criteria of tolerance class IT18 in JIS B0401-1986) / 2.

Panel cutout

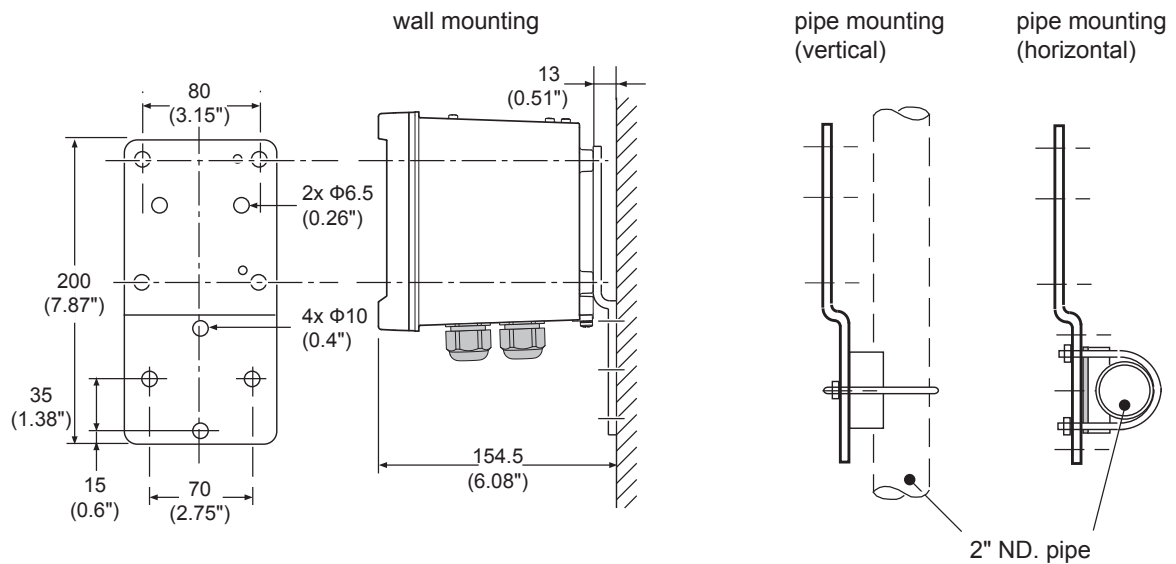
Unit: mm (inch)



Panel mounting diagram (option code: /PM)



Wall and pipe mounting diagram (option code: /U)



(Note) When option code "/UM" is specified, universal pipe/wall/panel mounting kit are supplied--- same as option code "/U" and "/PM" both specified.

Unless otherwise specified, differences in the dimensions are specified as: General tolerance = ± (Criteria of tolerance class IT18 in JIS B0401-1986) / 2.