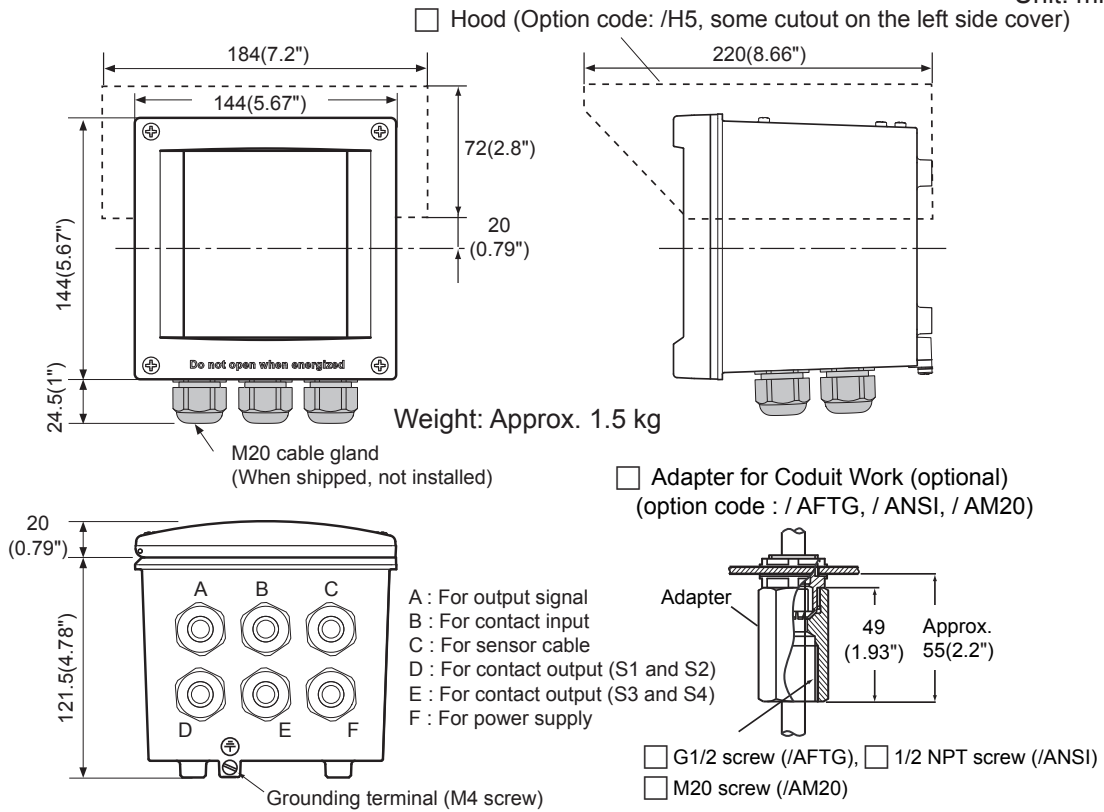


# Drawings

## Model SC450G [Style: S2] Conductivity / Resistivity Converter



Unit: mm (inch)



### Input and Output Connections

#### Relay Contacts

32	31	33	42	41	43	250V / 5A AC / DC 100VA / 50W	52	51	53	72	71	73
NC	C	NO	NC	C	NO		NC	C	NO	NO	C	NC
S1			S2			CONTACTS			S3			S4 (fail-safe)

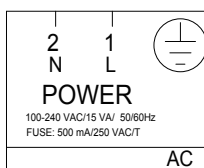
#### Signal mA Outputs

63	66	65	62	61	22	21	11	12	13	14	15	16	
SHLD	-	+	-	+			+	-	INNER OUTER INNER OUTER				
mA2				mA1 (+HART)		CONTACT		TEMP		ELECTRODE			
mA OUTPUTS										SENSOR(S)			
REFER TO INSTRUCTION MANUAL FOR CONNECTIONS												SC	

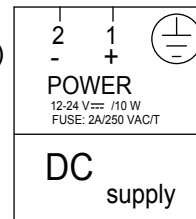
#### Power Supply

(Terminals are M3 screw)

□ SC450G-A  
(AC power)



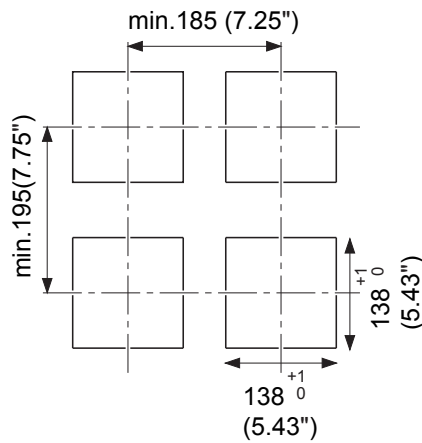
□ SC450G-D  
(DC power)



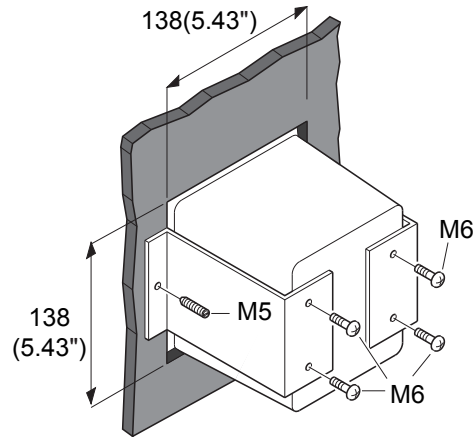
Unless otherwise specified, differences in the dimensions are specified as: General tolerance = ± (Criteria of tolerance class IT18 in JIS B0401-1986) / 2.

### Panel cutout

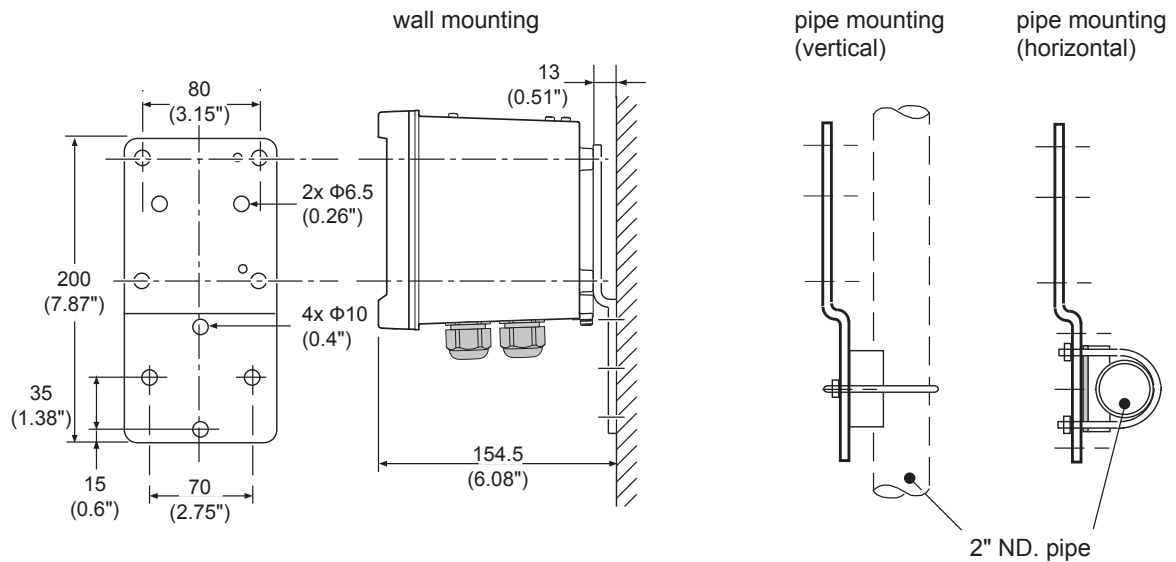
Unit: mm (inch)



### Panel mounting diagram (option code: /PM)



### Wall and pipe mounting diagram (option code: /U)



(Note) When option code "/UM" is specified, universal pipe/wall/panel mounting kit are supplied--- same as option code "/U" and "/PM" both specified.

Unless otherwise specified, differences in the dimensions are specified as: General tolerance = ± (Criteria of tolerance class IT18 in JIS B0401-1986) / 2.