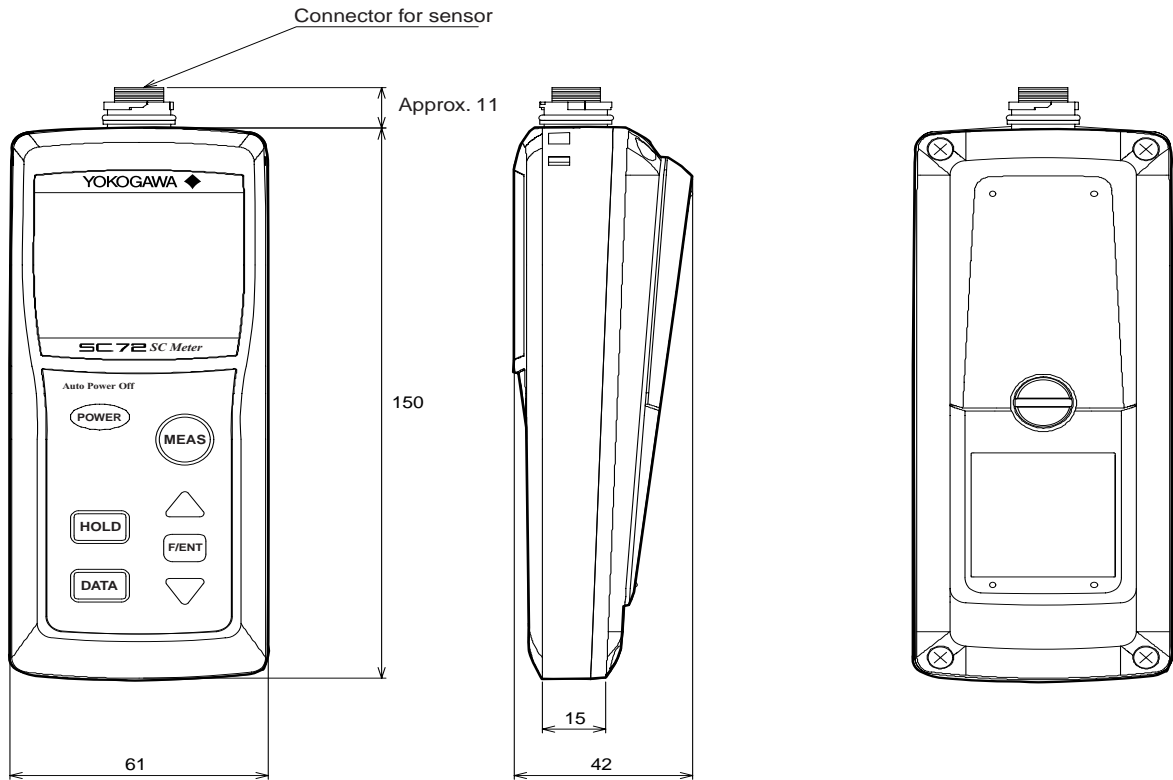


Drawings

Model SC72 Personal SC Meter

Unit : mm

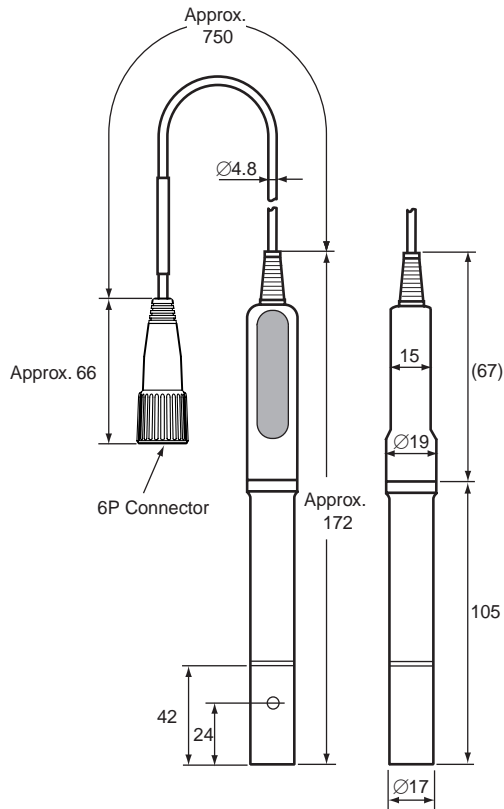


(Suffix code “ -00 ” : without sensor)

Weight : Approx. 220 g

Unless otherwise specified, differences in the dimensions are specified as : General tolerance=(Criteria of tolerance class IT18 in JIS B0401-1986)/2.

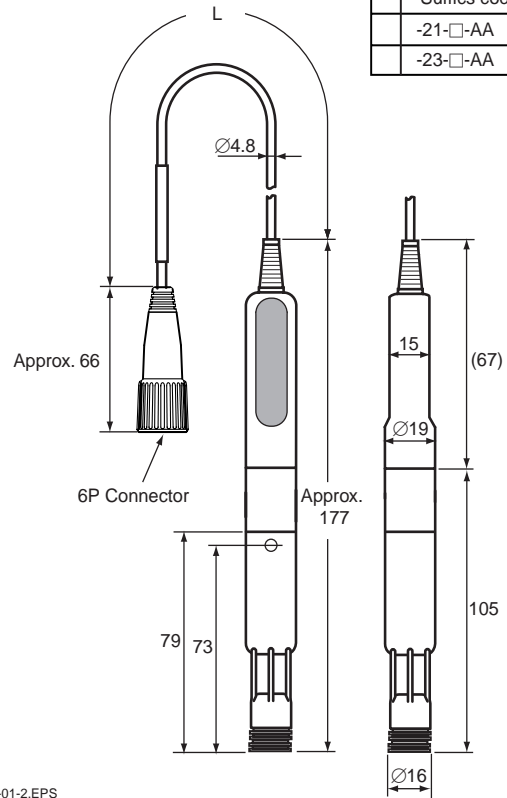
□ Sensor for Pure Water Use
 Suffix code : -11 □ -AA



□ General-purpos Sensor

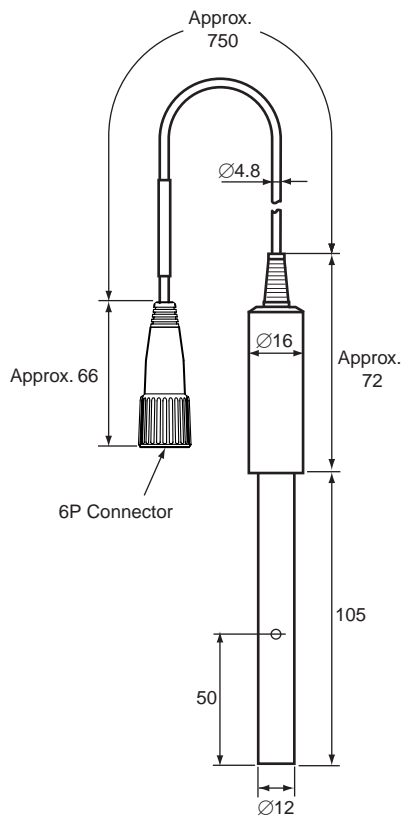
Unit: mm

Suffix code	L
-21-□-AA	Approx. 0.75 m
-23-□-AA	Approx. 3.0 m

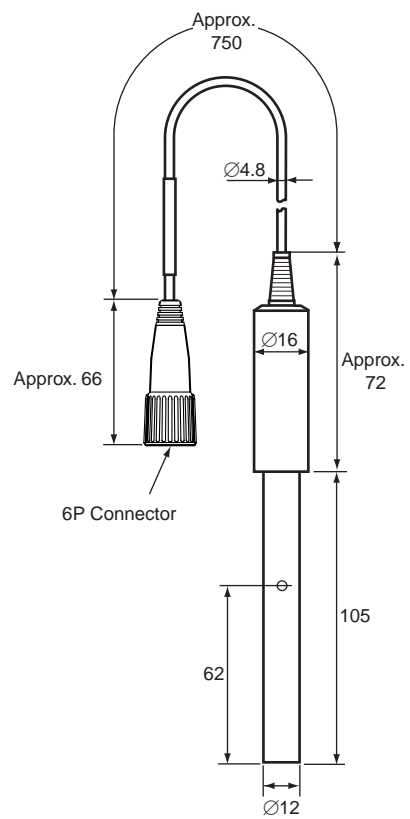


SD12D3D2-01-2.EPS

□ Chemical-resistant Sensor
 Suffix code : -31 □ -AA



□ Sensor for High-conductivity Measurement
 Suffix code : -41 □ -AA



SD12D3D2-01-3.EPS

Weight : Approx. 100 to 800 g

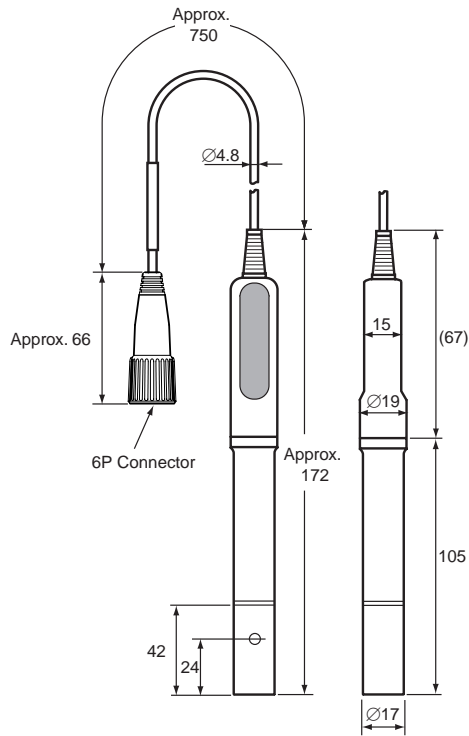
Unless otherwise specified, differences in the dimensions are specified as : General tolerance=(Criteria of tolerance class IT18 in JIS B0401-1986)/2.

Drawings

Model SC72SN-□1, SC72SN-23 Sensor for SC72 Personal SC Meter

□ Sensor for Pure Water Use

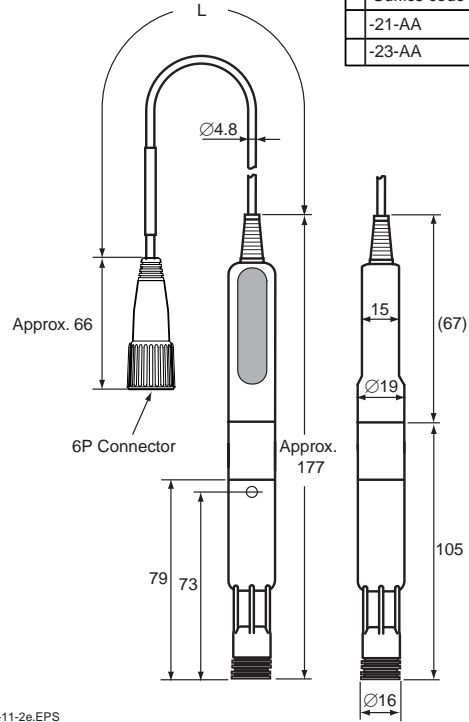
Suffix code : -11 -AA



□ General-purpos Sensor

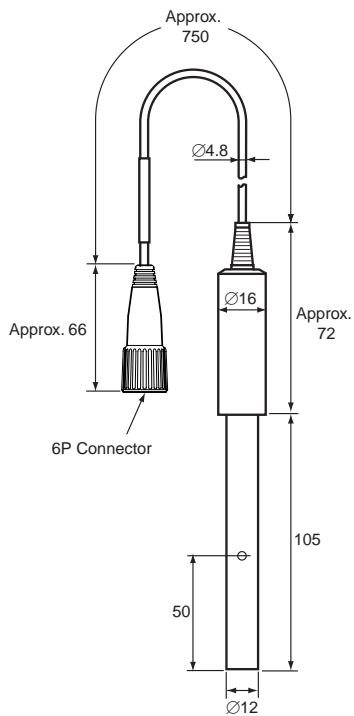
Unit: mm

Suffix code	L
-21-AA	Approx. 0.75 m
-23-AA	Approx. 3.0 m



□ Chemical-resistant Sensor

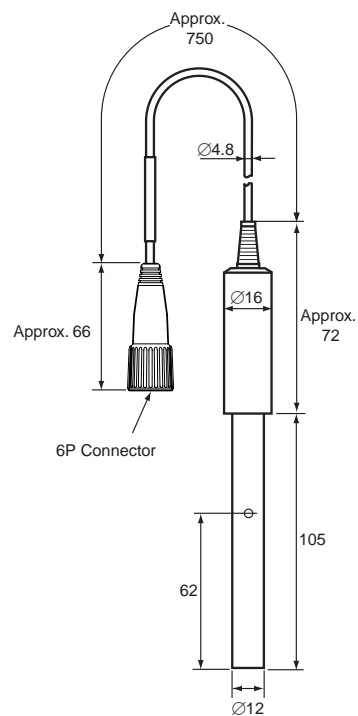
Suffix code : -31-AA



SD12D3D2-11-2e.EPS

□ Sensor for High-conductivity Measurement

Suffix code : -41 -AA



SD12D3D2-11-3e.EPS

Weight : Approx. 100 to 800 g

Unless otherwise specified, differences in the dimensions are specified as : General tolerance=(Criteria of tolerance class IT18 in JIS B0401-1986)/2.